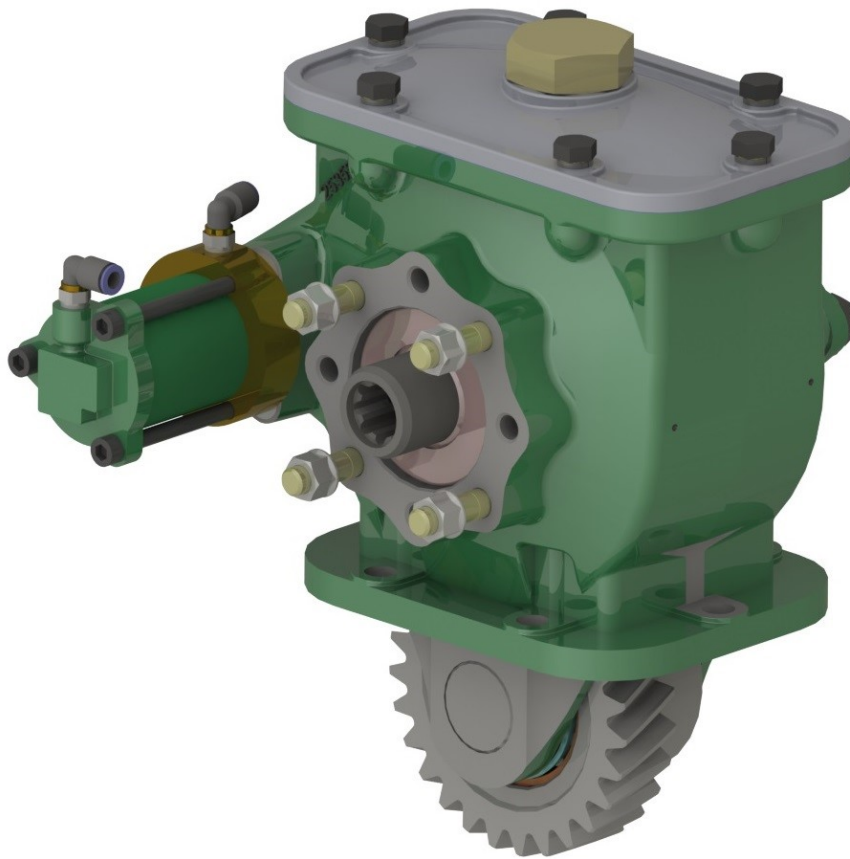


Technical Data Sheet



PA406 SERIES POWER TAKE-OFF

Deep Reach High Torque 6 Bolt Side Mounted PTO

The 406 series is designed for the front left opening of certain Eaton transmissions with a 6 bolt opening, it is a heavy duty deep reach design.

The PTO is suitable for use on both direct drive and overdrive transmissions.

Suits:

Eaton 6109A, 8209A, 8309A transmissions.
(Refer to the eGuide Configurator on www.hydreco.com for confirmation and details)

Product Features

- **Output speed of 72% of engine speed for direct drive**
For very high torque at the output.
- **Output speed of 72% of engine speed for direct drive**
For optimal output speed for most applications.
- **Constant mesh gears**
Less potential for gearbox damage through misuse.
- **Wide variety of outputs**
To suit many vehicle configurations.
- **Heavy duty tapered roller bearings**
For long life and better support of the idler gear.

POWAUTO

DAVID BROWN
HYDRAULICS

HYDRECO®

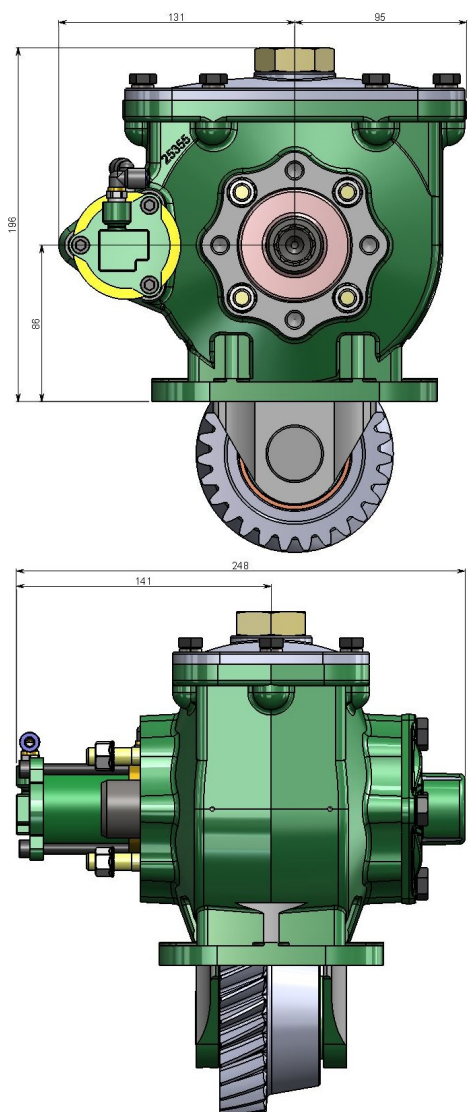
HYDRECO
POWAUTO

ADVANCED HYDRAULIC TECHNOLOGIES



www.hydreco.com

Technical Data Sheet



PTO DESIGNATION CODES

406 Series

PA 406 EB1 L22 A 08 *

Identifier

PA = PTO Side Mount

PTO Series

406

Gear Type

EB1

Build

L = Left side of transmission

2 = Selector to bottom / Bias to top

2 = Centre to rear

(Position of gear in transmission)

Engagement Type

A = Air

Output Type

08 = 8T Powauto Hydraulic Spline

09 = 14T 12/24 30° Spline + 35 x 60 Flange

10 = 14T 12/24 30° Spline + 1310 Flange

11 = 14T 12/24 30° Spline + 1410 Flange

13 = 13T SAE B Hydraulic Spline + SAE B Pump Mount

23 = 8T Ø36 DIN 5462 Spline - Female and DIN Mount

26 = 14T 12/24 30° Spline + SAE C 2 & 4 Bolt Mount

36 = 14T 12/24 30° Spline + 50 x 62.5 Flange

41 = 3B UNI Pump Mount

Other outputs available on request, subject to MOQ.

Manufacturers Code

A = With Pressure Switch

B = With Mounting Kit

Technical Specifications		
Ratings & Service Parts		
Torque	Nm / ft.lb	440 / 327
Power @ 500 rpm	kW / hp	23.2 / 31.1
Power @ 1000 rpm	kW / hp	46.4 / 62.2
Output Shaft Rotation		Opposite To Engine
Approximate Bare Mass	kg / lb	17.0 / 37.4
Mounting Kit		MK1137B
Mounting Gasket Kit		GK001
Seal Kit		SK047B
Bearing Kit		BK047B

Note: For full details refer to the owners manual or the eGuide configurator found at www.hydreco.com/solutions/on-road

Doc: PA406—04/20

POW AUTO

DAVID BROWN
HYDRAULICS

HYDRECO®

HYDRECO
POW AUTO

ADVANCED HYDRAULIC TECHNOLOGIES



www.hydreco.com