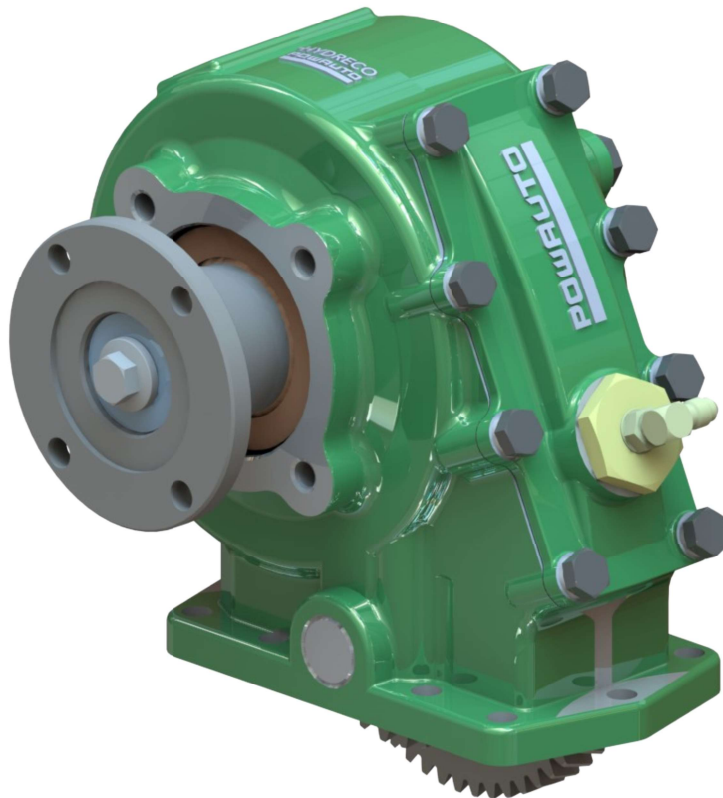


# Technical Data Sheet



## PA4400 SERIES POWER TAKE-OFF

### Ultra Heavy Duty Side Mounted Constant Drive Power Take Off

The 4400 series is a constant mesh, constant drive PTO designed to suit the 10 bolt transmission openings on the MD and HD series Allison automatic transmissions.

This PTO has a high torque rating which is well suited to heavy duty applications.

#### Suits:

Allison MD 3000 series, HD 4000 series transmissions.

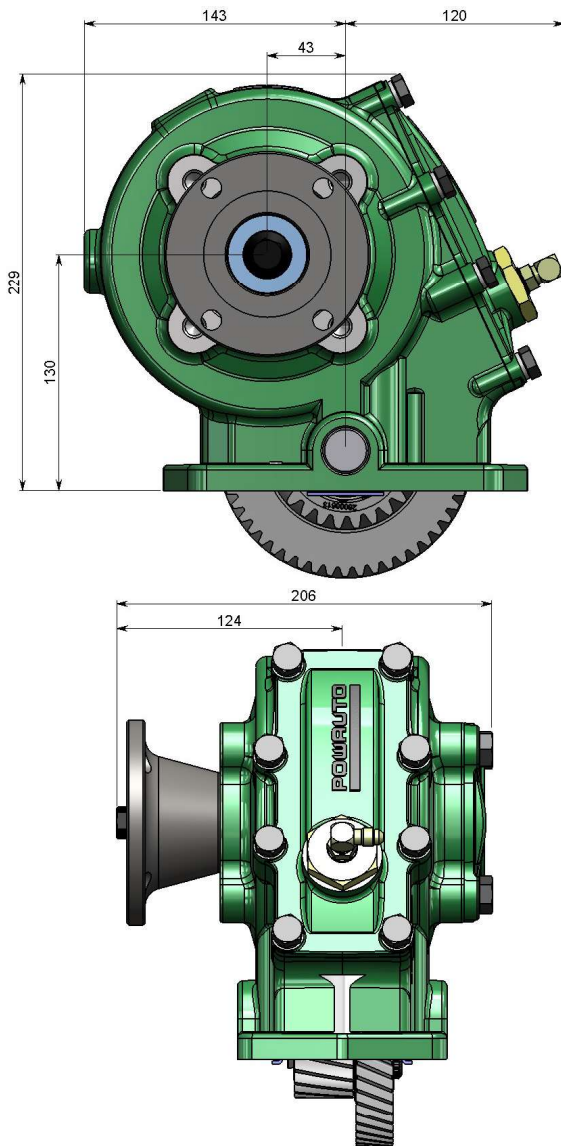
(Refer to the eGuide Configurator on [www.hydreco.com](http://www.hydreco.com) for confirmation and details)

## Product Features

- **Output Speeds 86 to 120% of engine speed (Transmission dependant)**  
Giving good output values for all applications.
- **Constant Drive**  
Ensuring no gear clash when operating. Suitable for driving variable displacement pumps.
- **Viton Seals & O-Rings**  
Better compatibility with high temperature conditions.
- **One Gasket, One Hose Fitment**  
Simple to install, resulting in lower setup costs.



# Technical Data Sheet



## PTO DESIGNATION CODES

### 4400 Series

PA 4401 JB L11 B 33 B

#### Identifier

PA = PTO Side Mount

#### PTO Series

44

#### Ratio (3500 / 4000)

01 = 86% / 101%

02 = 92% / 107%

04 = 103% / 120%

#### Gear Type

JB

#### Build

L = Left side of transmission

R = Right side of transmission

1 = Selector to top / Bias to bottom

2 = Selector to bottom / Bias to top

1 = Centre to front

(Position of gear in transmission)

#### Engagement Type

B = Continuous Engagement

#### Output Type

33 = 17T 12/24 30° Spline + 1410 Flange

Other outputs available on request, subject to MOQ.

#### Manufacturers Code

B = With Mounting Kit

Technical Specifications		PA4401	PA4402	PA4404
Ratings & Service Parts				
Ratio for 3000 Series (Top & Side Opening)		86.0%	91.5%	102.6%
Ratio for Allison 4000		101.0%	107.0%	120.0%
Torque	Nm / ft.lb	851 / 628	834 / 615	799 / 589
Power @ 500 rpm	kW / hp	45 / 60	44 / 59	42 / 56
Power @ 1000 rpm	kW / hp	89 / 119	87 / 117	84 / 113
Output Shaft Rotation		Same As Engine		
Approximate Bare Mass	kg / lb	22.0 / 48.4		
Mounting Kit		MK1163		
Mounting Gasket Kit		GK023		
Seal Kit		SK112		
Bearing Kit		BK112		

**Note:** For full details refer to the owners manual or the eGuide configurator found at [www.hydreco.com/solutions/on-road](http://www.hydreco.com/solutions/on-road)

Doc: PA4400—10/22

