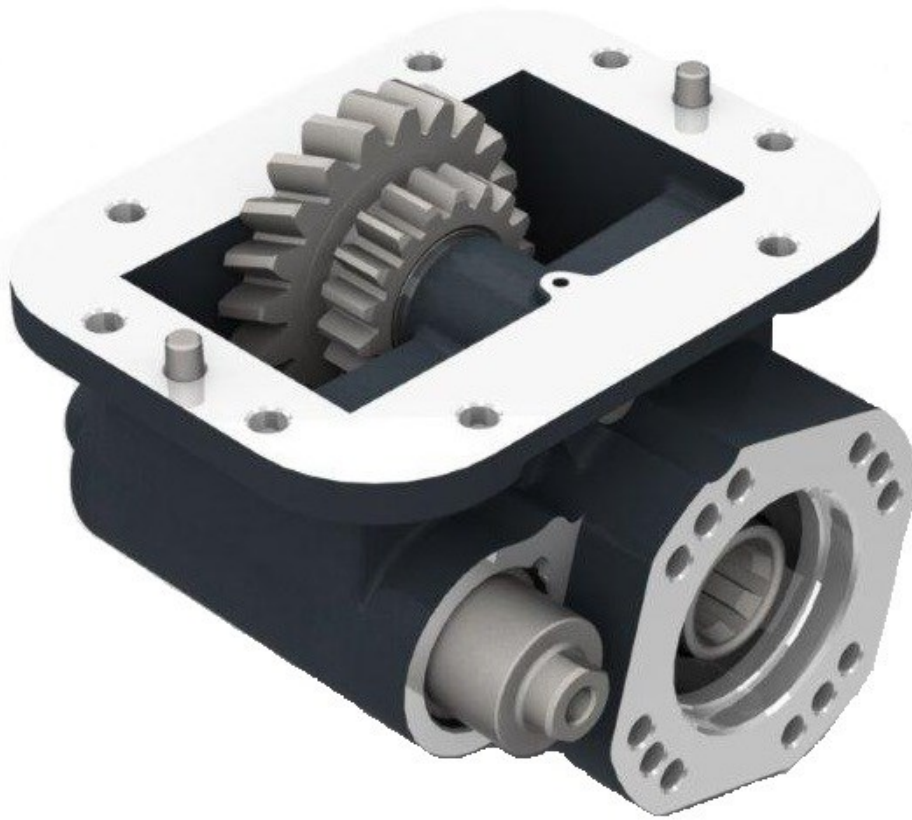


Technical Data Sheet



PA555 SERIES POWER TAKE-OFF

Product Features

Light Duty Side Mounted Power Take-Off

The 555 series is a constant mesh PTO designed to suit 8 bolt transmission openings on certain Scania transmissions.

This PTO has an air shift and a choice of common outputs.

Suits:

Scania GRS900 series transmissions.
(Refer to the eGuide Configurator on www.hydreco.com for confirmation and details)

- **Output Speeds 78 to 103% of Engine Speed (Transmission Dependant)**
To provide flexibility in design.
- **Choice of Outputs**
For flexibility in applications
- **Air Shift Engagement**
To provide flexibility in installation.
- **Low Profile**
Providing easier installation on narrower chassis'.

POWAUTO

DAVID BROWN
HYDRAULICS

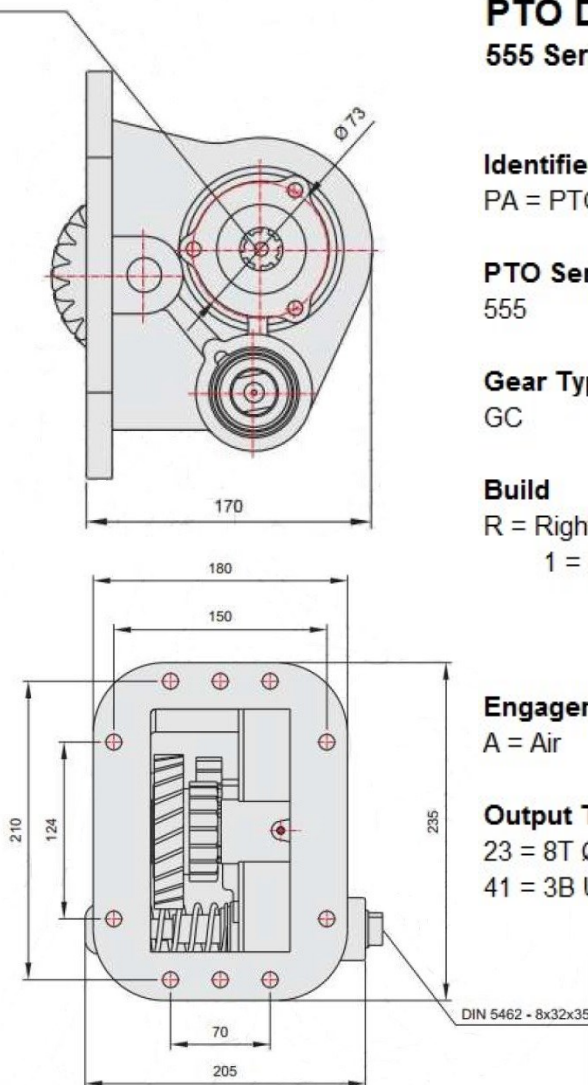
HYDRECO

HYDRECO
POWAUTO
HYDRAULIC SOLUTIONS PROVIDER

www.hydreco.com

Technical Data Sheet

AIR INLET R 1/4"



PTO DESIGNATION CODES

555 Series

PA 555 GC R11 A 23

Identifier

PA = PTO Side Mount

PTO Series

555

Gear Type

GC

Build

R = Right side of transmission

1 = Selector to top / Bias to bottom

1 = Centre to front

(Position of gear in transmission)

Engagement Type

A = Air

Output Type

23 = 8T Ø36 DIN 5462 Spline - Female and DIN Mount

41 = 3B UNI Pump Mount

Technical Specifications		
Ratings & Service Parts		
Torque	Nm / ft.lb	245 / 180
Power @ 500 rpm	kW / hp	16.9 / 22.7
Power @ 1000 rpm	kW / hp	33.8 / 45.3
Output Shaft Rotation		Opposite to Engine
Approximate Bare Mass	kg / lb	15.1 / 33.2
Mounting Kit		Included
Seal Kit		SK103
Bearing Kit		BK103

Note: For full details refer to the owners manual or the eGuide configurator found at www.hydreco.com/markets/transport

DISTRIBUTOR:

Doc: PA555—03/17

POWAUTO

DAVID BROWN
HYDRAULICS

HYDRECO

HYDRECO
POWAUTO
HYDRAULIC SOLUTIONS PROVIDER

www.hydreco.com