

Technical Data Sheet



PA8570 SERIES POWER TAKE-OFF

8 Bolt Single Gear Side Mounted PTO

The 8570 series is a single reduction PTO designed for Isuzu MZZ transmissions with an 8 bolt opening.

Continuing Hydreco Powauto's commitment to maximum torque density, this PTO achieves superior strength with minimum size and cost penalty.

Suits:

Isuzu MZZ5D, MZZ6C, U & W transmissions.
(Refer to the eGuide Configurator on www.hydreco.com for confirmation and details)

Product Features

- **Output speeds 80 to 82.6% of engine speed (transmission dependant)**
For maximum torque output for pump operation.
- **Large range of engagement options**
For suitability to many trucks.
- **Large range of outputs**
To allow close coupling or remote mounting of the pump.
- **Heavy duty tapered roller bearings**
For long life and better support of the idler gear.

POW AUTO

DAVID BROWN
HYDRAULICS

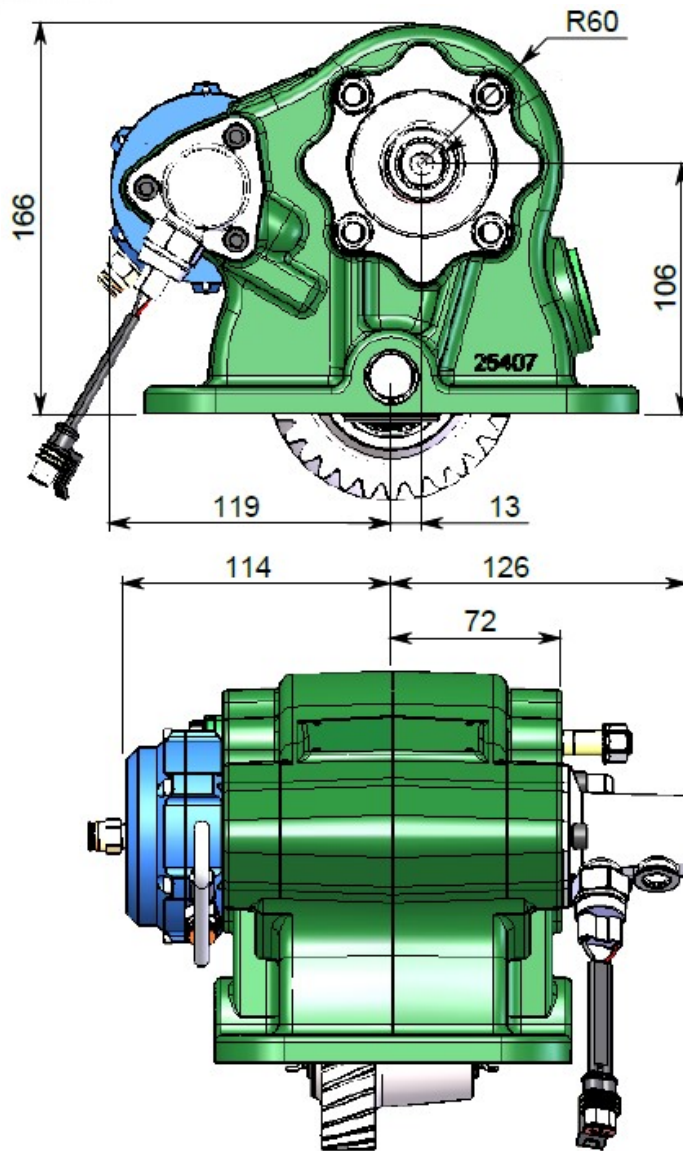
HYDRECO®

HYDRECO
POW AUTO
ADVANCED HYDRAULIC TECHNOLOGIES



www.hydreco.com

Technical Data Sheet



PTO DESIGNATION CODES

8570 Series

PA 8570 KN L11 V 08 *

Identifier

PA = PTO Side Mount

PTO Series

8570

Gear Type

KN

Build

L = Left side of transmission

1 = Selector to top / Bias to bottom

2 = Selector to bottom / Bias to top

1 = Centre to front

(Position of gear in transmission)

Engagement Type

V = Vacuum

Output Type

08 = 8T Powauto Hydraulic Spline

09 = 14T 12/24 30° Spline + 35 x 60 Flange

10 = 14T 12/24 30° Spline + 1310 Flange

11 = 14T 12/24 30° Spline + 1410 Flange

23 = 8T Ø36 DIN 5462 Spline - Female and DIN Mount

Other outputs available on request, subject to MOQ.

Manufacturers Code

A = With Pressure Switch

Technical Specifications		
Ratings & Service Parts		
Torque	Nm / ft.lb	320 / 236
Output Speed	% of Engine	82.6% (MZZ6F)
Output Shaft Rotation		Opposite to Engine
Approximate Bare Mass	kg / lb	14.5 / 31.9
Mounting Kit		MK1064
Mounting Gasket Kit		GK005
Seal Kit		SK046B
Bearing Kit		BK046B

Note: For full details refer to the owners manual or the eGuide configurator found at www.hydreco.com/solutions/on-road

Doc: PA8570—05/22

POW AUTO

DAVID BROWN
HYDRAULICS

HYDRECO®

HYDRECO
POW AUTO

ADVANCED HYDRAULIC TECHNOLOGIES



www.hydreco.com