

# Technical Data Sheet



## PB471 SERIES POWER TAKE-OFF

### Rear Mount Hotshift PTO for ZF

The 471 series is designed for certain ZF transmissions with rear openings, it has an output ratio suitable for high torque in critical applications.

Built with constant mesh gearing, this PTO incorporates a clutch pack to engage and disengage the output shaft.

#### Suits:

ZF ASTRONIC transmissions.  
(Refer to the eGuide Configurator on [www.hydreco.com](http://www.hydreco.com) for confirmation and details)

## Product Features

- **Hotshift with pneumatic engagement**  
Can engage 'on the run' - no need for clutch operation with manual gearboxes.
- **Output speeds 96 to 182% of engine speed (transmission dependant)**  
Giving good output values for all applications.
- **Standard outputs**  
For flexibility in application with common pumps.
- **Large rear mounting flange**  
To provide extra support for higher torque output.
- **Deep groove ball bearings**  
For long life and higher performance.

POWAUTO

DAVID BROWN  
HYDRAULICS

HYDRECO®

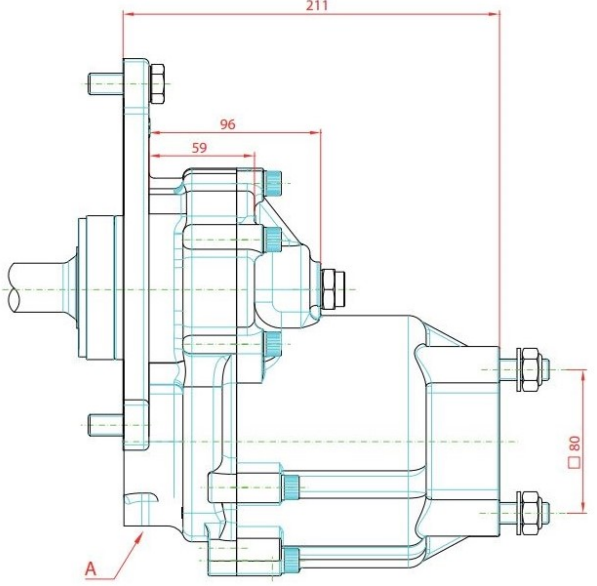
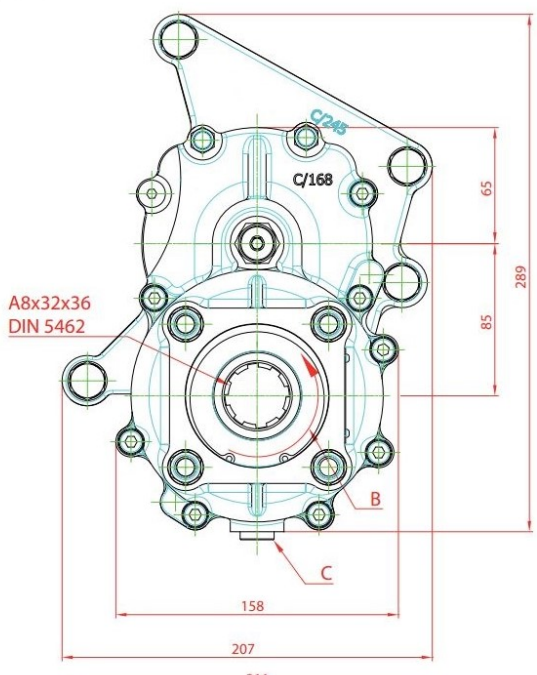
HYDRECO  
POWAUTO

ADVANCED HYDRAULIC TECHNOLOGIES



[www.hydreco.com](http://www.hydreco.com)

# Technical Data Sheet



## PTO DESIGNATION CODES

### 471 Series

PB 471 A 23

**Identifier**  
PB = PTO Rear Mount

**PTO Series**  
471

**Engagement Type**  
A = Air

**Output Type**  
08 = 8T Powauto Hydraulic Spline  
23 = 8T Ø36 DIN 5462 Spline - Female and DIN Mount

Technical Specifications		
<b>Ratings</b>		
Torque	Nm / ft.lb	400 / 295
Power @ 500 rpm	kW / hp	20.9 / 28.1
Power @ 1000 rpm	kW / hp	41.9 / 56.1
Output Shaft Rotation		Same as Engine
Approximate Bare Mass	kg / lb	23.4 / 51.5
Mounting Kit		Included

**Note:** For full details refer to the owners manual or the eGuide configurator found at [www.hydreco.com/solutions/on-road](http://www.hydreco.com/solutions/on-road)

Doc: PB471—04/20

