

SUH SERIES

PILOT SUPPLY
UNIT



PILOT SUPPLY UNIT

The SUH is a direct acting pressure reducing valve which can be connected to either one or two main circuits via ports P1 and P2. Both ports feed through a shuttle valve to prevent circuit interaction. Reduced pressure is supplied to port U1 and U2.

A pre-set relief valve is fitted to prevent over pressure, and the unit is supplied with an accumulator connection for emergency power supply. A solenoid attachment is available to act as a safety system and to maintain the accumulator charged for a longer period by preventing leakage downstream to the 'U' ports. An integral filter is available to protect the output line and hence downstream components.

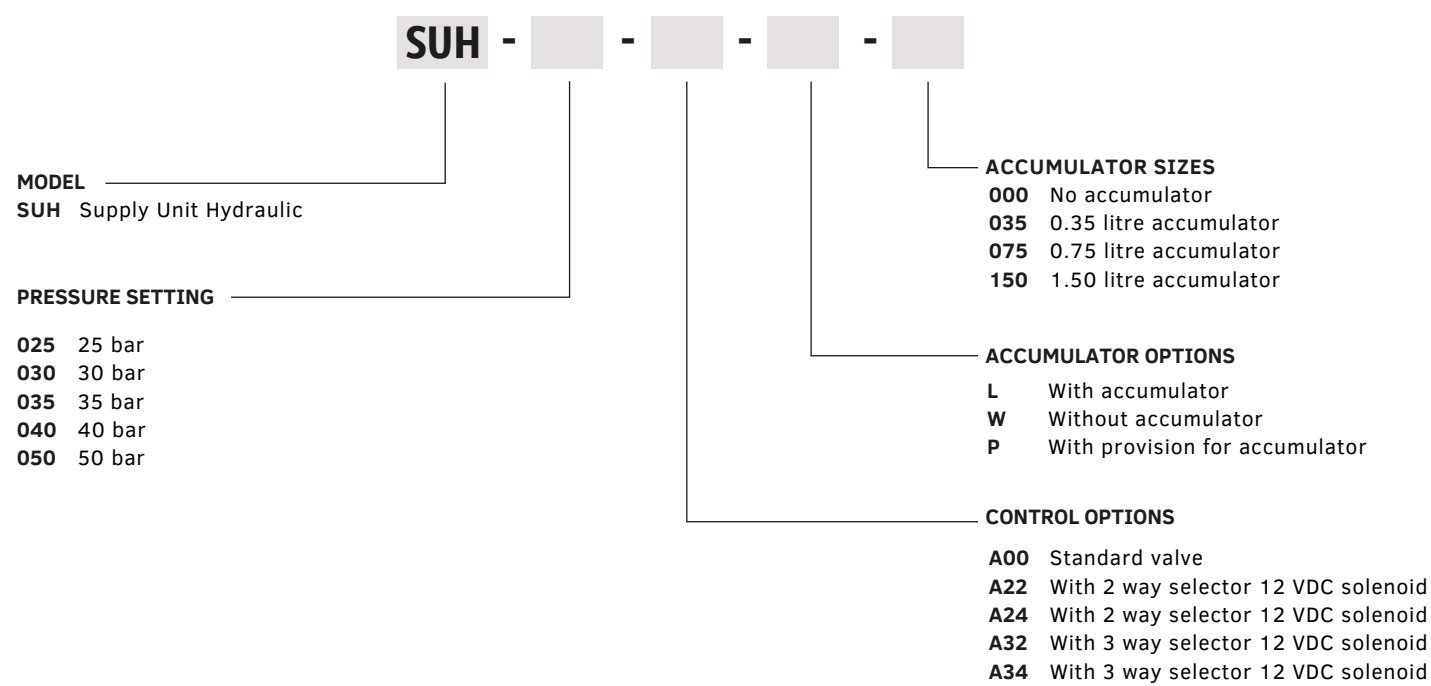
TECHNICAL FEATURES

Input Pressure P:	Min 8 bar, Max 350 bar
Output Pressure:	See <i>Pressure</i> setting *
Max pressure on drain port T:	3 bar
Relief valve setting (nominal):	45 bar
Max accumulator pressure:	100 bar (Nitrogen pre-charge 13 bar)
Flow capacity at ports:	5 l/min without accumulator up to 40 l/min with accumulator
Hydraulic fluids:	ISO HM & HV bio-degradable fluids
Fluid temperature range:	-20° to +80°C
Fluid viscosity:	2.8 to 380 mm ² /sec
Maximum filter rating:	25µm (absolute)

Please contact Hydreco Hydraulics for special requirements.

SUH SERIES - MODEL CODING

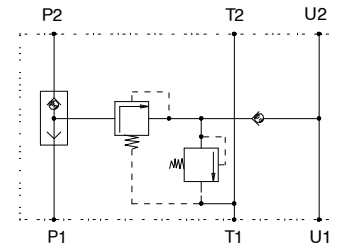
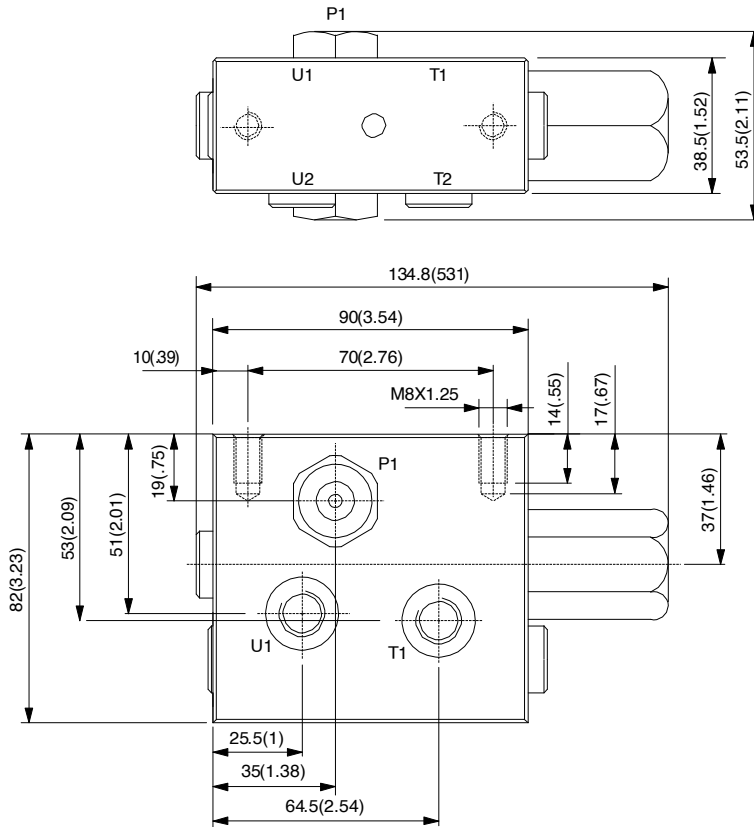
Hydreco Hydraulics reserves the right to update the information and data contained in this catalogue at any time without notice



Example: Standard valve set at 30 bar, with 12 Volt solenoid valve and 0.35 litre accumulator ordering number: **SUH-030-A22-L-035**

SUH-XXX-A00-W-000

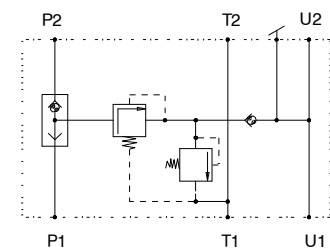
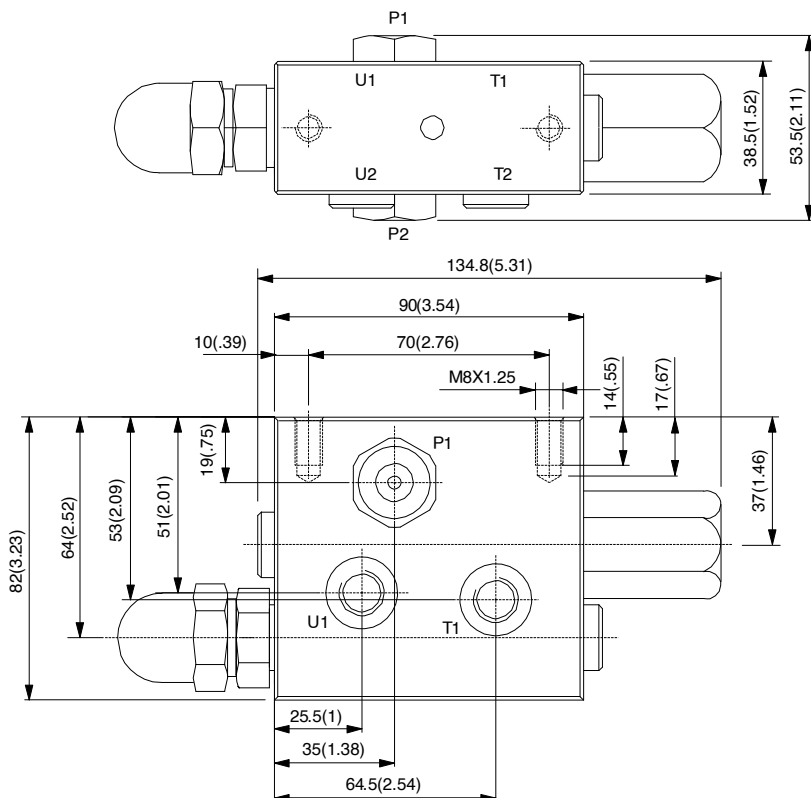
Standard Valve with no accumulator and no provision for an accumulator.



HYDRAULIC CIRCUIT DIAGRAM

SUH-XXX-A00-P-000

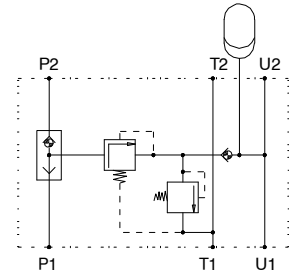
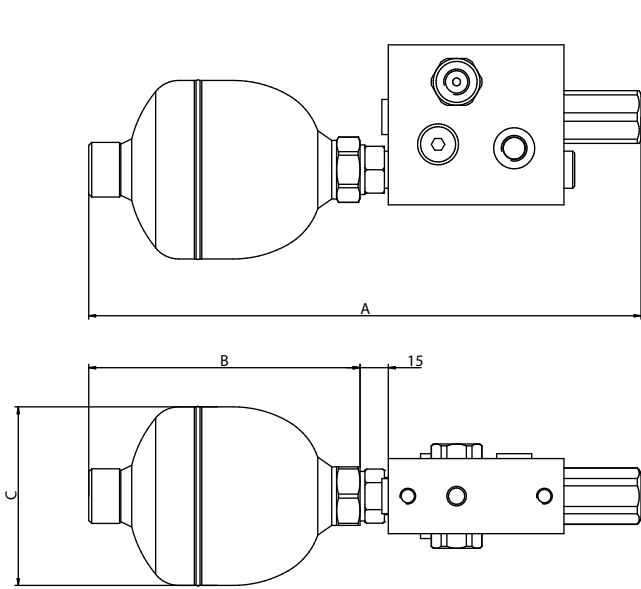
Standard valve with no accumulator and with provision for an accumulator.



HYDRAULIC CIRCUIT DIAGRAM

SUH-XXX-A00-L-XXX

Standard valve with accumulator and without solenoid.



HYDRAULIC CIRCUIT DIAGRAM

STANDARD VALVE
 For dimension see page 2

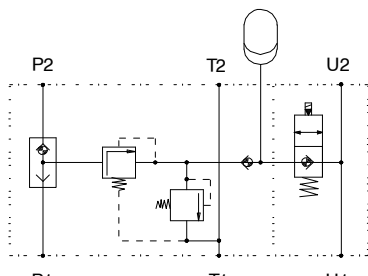
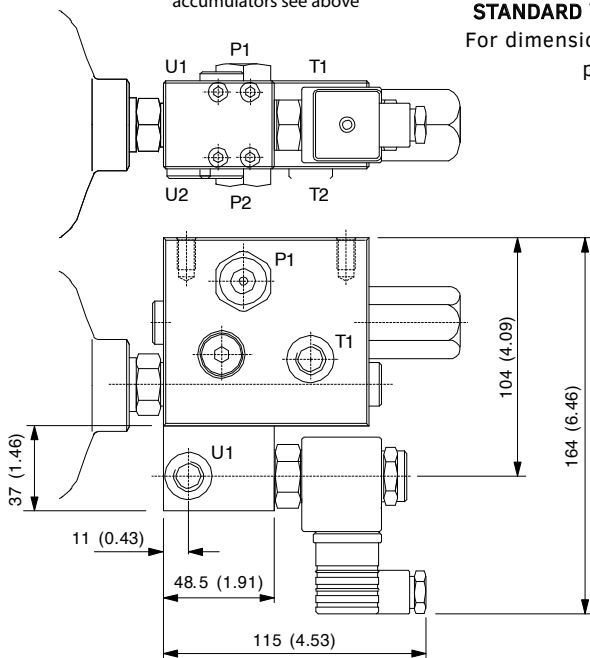
	Accumulator Capacity	B Accumulator Length	A Overall Unit Length	C Maximum Diameter
SUH-XXX-A00-L-035	0.35 litres	120(4.72)	264.5(10.4)	96.5(3.80)
SUH-XXX-A00-L-075	0.75 litres	150(5.9)	294.5(11.6)	121(4.76)
SUH-XXX-A00-L-150	1.50 litres	295(11.61)	435(17.13)	115(4.53)

SUH-XXX-A22-L-XXX

Valve with accumulator and 12 VDC 2way solenoid.

For dimensions regarding accumulators see above

STANDARD VALVE
 For dimension see page 2



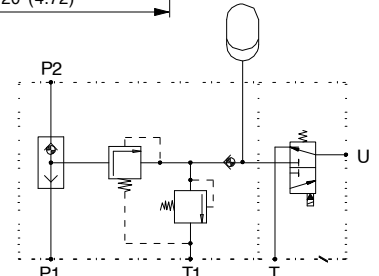
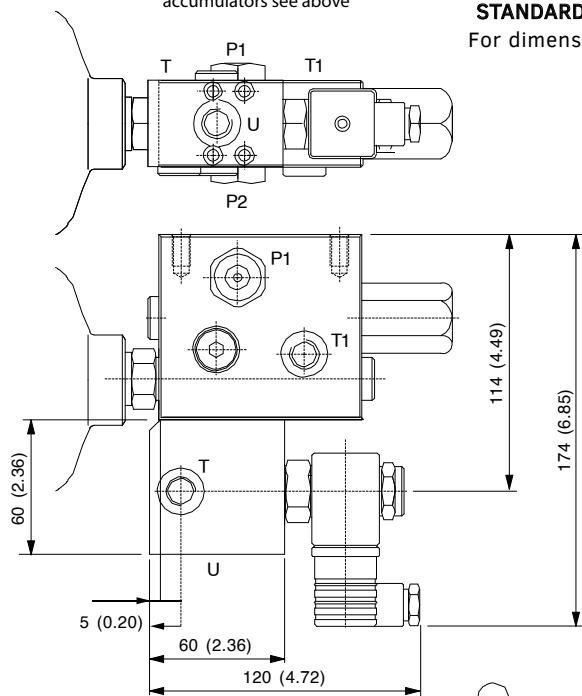
HYDRAULIC CIRCUIT DIAGRAM

SUH-XXX-A34-L-XXX

Valve with accumulator and 24 VDC 3way solenoid.

For dimensions regarding accumulators see above

STANDARD VALVE
 For dimension see page 2



HYDRAULIC CIRCUIT DIAGRAM

Supported by a worldwide network



CONTACT INFORMATION

EMEA

GERMANY	Hydreco Hydraulics GmbH, Straelen (NRW)	+49 283494303-41	info-de@hydreco.com
ITALY	Hydreco Hydraulics Italia Srl, Vignola (MO)	+39 059 7700411	sales-it@hydreco.com
ITALY	Hydreco Hydraulics Italia Srl, Parma (PR)	+39 0521 1830520	sales-it@hydreco.com
ITALY	Hydreco Srl, San Cesario S/P (MO)	+39 059 330091	cylinders@hydreco.com
NORWAY	Hydreco Hydraulics Norway AS, Nittedal	+47 22909410	post-no@hydreco.com
UK	Hydreco Hydraulics Ltd, Poole, Dorset	+44 (0) 1202 627500	info-uk@hydreco.com

AMERICAS

NORTH/LATIN	Hydreco Inc / Continental Hydraulics Inc, Shakopee (MN)	+1 952 895 6400	sales@conthyd.com
-------------	---------------------------------------------------------	-----------------	-------------------

APAC

AUSTRALIA	Hydreco Hydraulics Pty Ltd, Seven Hills (NSW)	+61 2 9838 6800	sales-au@hydreco.com
AUSTRALIA	Hydreco Hydraulics Pty Ltd, Welshpool (WA)	+61 8 9377 2211	reception-wa@hydreco.com
INDIA	Hydreco Hydraulics India Private Ltd, Bangalore	+91 80 67656300	sales-in@hydreco.com

