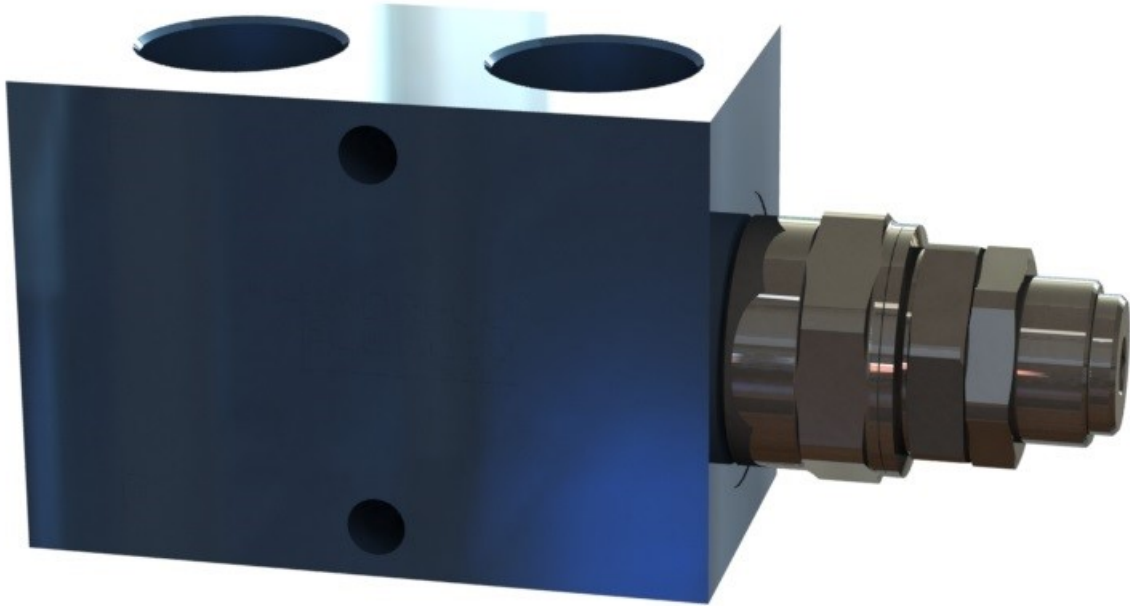


# Technical Data Sheet



## 25 SERIES RELIEF VALVES

### Three Port Inline Relief Valves

The 25 Series is an inline direct acting relief valve cartridge in an aluminium housing with 1" BSPP ports.

An inline relief valve should be fitted to a prime mover where the hydraulic control valves are located on the trailer.

#### Typical applications:

Walking floor, low loaders, car carriers, logging trailers etc.

## Product Features

- **Direct Acting Cartridge**  
Fast and accurate response.
- **Optional Dual Pressure**  
Allows for dual purposing of the vehicle.
- **Simple design**  
For trouble-free installation and operation.
- **Aluminium Housing**  
Keeps weight to a minimum.
- **Easy Adjustment**  
Saves time on installation.

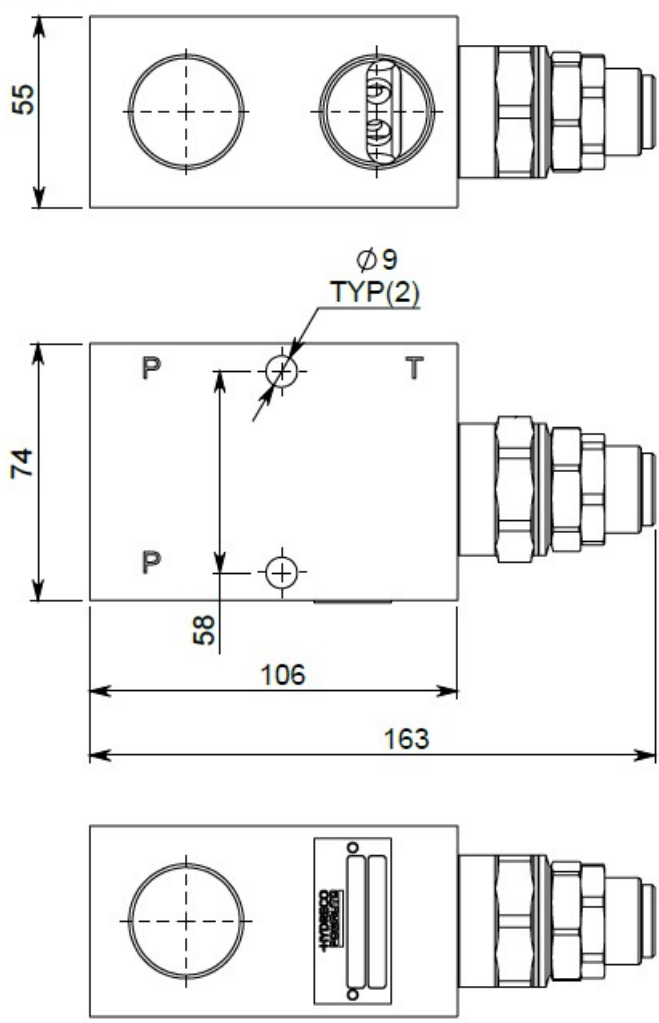


**HYDRECO**  
a member of **DAIKIN** group



[www.hydreco.com](http://www.hydreco.com)

# Technical Data Sheet



## VALVE DESIGNATION CODES

25/26 series valve

VA 25 B

### Identifier

VA = Valve

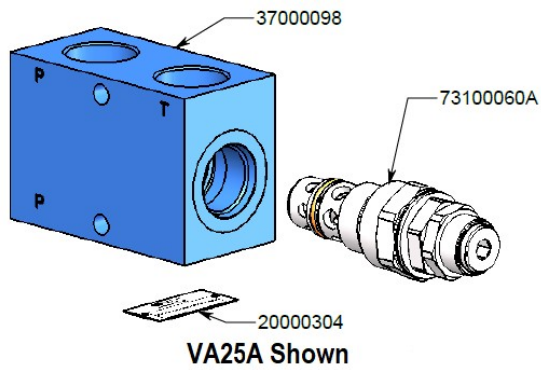
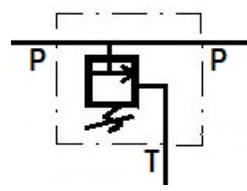
### Valve Series

25 = Single Pressure

26 = Dual Pressure

### Pressure Range

B = 120 to 210 Bar



| Technical Specifications |             | VA25B      |
|--------------------------|-------------|------------|
| Flow                     | L/min / gpm | TBA        |
| Maximum Pressure         | Bar / psi   | 210 / 3000 |
| Bare Mass - VA25A        | kg          | 1.2        |
| Port Sizes               |             | 1" BSPP    |
| Seal Kit - VA25#         |             | SK123A     |
| Seal Kit - VA26#         |             | SK123B     |

Note: Hydreco recommends the use of filtration in all hydraulic circuits to a maximum of 25µ.

Doc: VA25—11/24



[www.hydreco.com](http://www.hydreco.com)