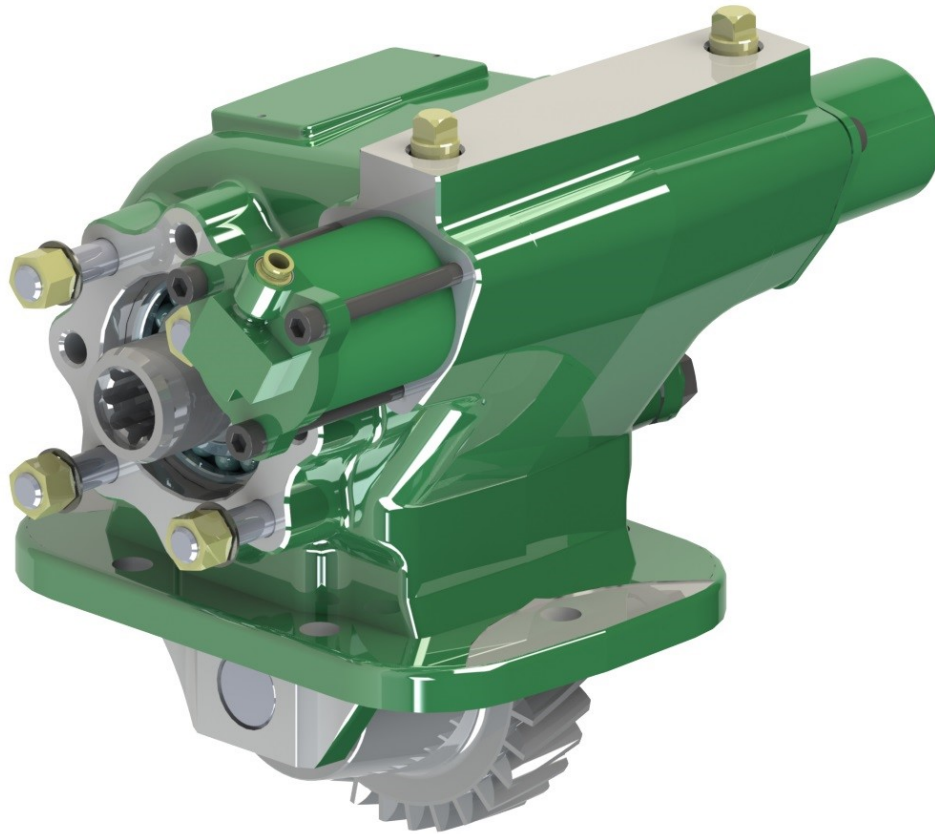


# Technical Data Sheet



## PA393 SERIES POWER TAKE-OFF

### Heavy Duty 6 Bolt Side Mounted PTO

The 393 series is designed for many Asian manufactured transmissions with a 6 bolt opening, it is a heavy duty deep reach design.

This single reduction PTO is supplied with a deep reach gear to mesh with the countershaft gear inside the transmission. The 6 bolt flange fits many standard transmissions allowing for a compact fit on these gearboxes.

#### Suits:

Many Daihatsu, Ford, Hino, Isuzu, Mazda and Toyota transmissions.

(Refer to the eGuide Configurator on [www.hydreco.com](http://www.hydreco.com) for confirmation and details)

## Product Features

- **Heavy Duty Tapered Roller Bearings**  
For long life and better support for the idler gear.
- **Constant Mesh Gears**  
Less potential for gearbox damage through misuse.
- **Helical Gears**  
For quieter operation and higher capacity.
- **Deep Reach**  
Meshes with many Asian manufactured gearboxes.
- **Wide Variety of Gears**  
To suit many applications.

POWAUTO

DAVID BROWN  
HYDRAULICS

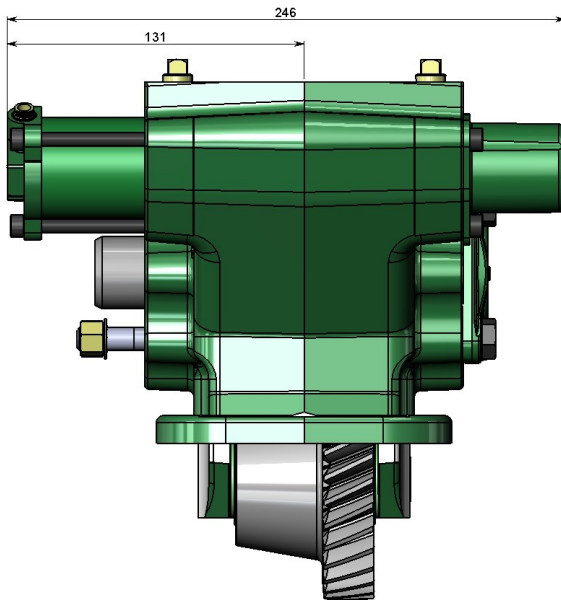
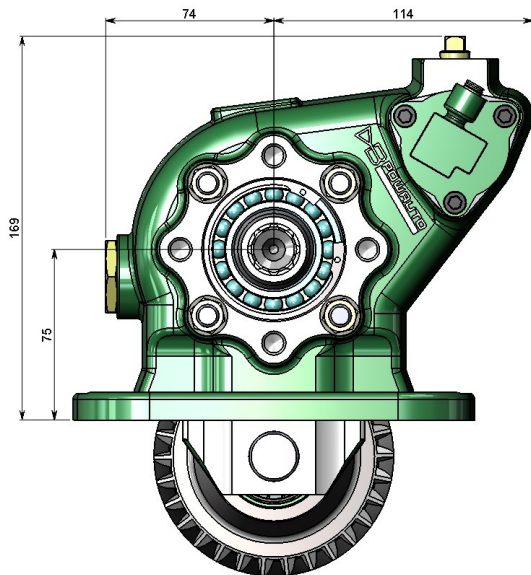
HYDRECO®

HYDRECO  
POWAUTO  
ADVANCED HYDRAULIC TECHNOLOGIES



[www.hydreco.com](http://www.hydreco.com)

# Technical Data Sheet



## PTO DESIGNATION CODES

### 393 Series

PA 393 SD L11 C 08 \*

#### Identifier

PA = PTO Side Mount

#### PTO Series

393

#### Gear Type

M7, MQ1, SB, SD

#### Build

L = Left side of transmission

1 = Selector to top / Bias to bottom

2 = Selector to bottom / Bias to top

4 = Rear to centre

(Position of gear in transmission)

#### Engagement Type

A = Air

C = Cable

V = Vacuum

#### Output Type

08 = 8T Powauto Hydraulic Spline

13 = 13T SAE B Hydraulic Spline + SAE B Pump Mount

15 = Ø30 Taper Shaft - 1" x 1/4" Key - 25 x 50 Flange

16 = Ø30 Taper Shaft - 1" x 1/4" Key - 35 x 60 Flange

17 = Ø30 Taper Shaft - 1" x 1/4" Key - 1410 Flange

25 = 9T SAE A Hydraulic Spline + SAE A Pump Mount

30 = 13T SAE B Hydraulic Spline + DIN Mount

35 = Ø30 Taper Shaft - 1" x 5/16" Key - 50 x 62.5 Flange

Other outputs available on request, subject to MOQ.

#### Manufacturers Code

A = With Pressure Switch

B = With Mounting Kit

C = With Mounting Kit & PTO Control Kit

Technical Specifications					
Ratings & Service Parts		M7	MQ1	SB	SD
Torque	Nm / ft.lb	300 / 225	250 / 188	320 / 236	282 / 208
Power @ 500 rpm	kW / hp	16.0 / 21.4	13.3 / 17.9	17.3 / 23	14.8 / 19.8
Power @ 1000 rpm	kW / hp	32.0 / 42.8	26.7 / 35.7	34.6 / 46	29.6 / 39.6
Output Shaft Rotation		Opposite To Engine			
Approximate Bare Mass	kg / lb	13.0 / 28.6			
Mounting Kit		* See Note			
Mounting Gasket Kit		GK003			
Seal Kit		SK039			
Bearing Kit		BK039			

\* Mounting kit varies with transmission - refer to eGuide Configurator.

**Note:** For full details refer to the owners manual or the eGuide configurator found at [www.hydreco.com/solutions/on-road](http://www.hydreco.com/solutions/on-road)

Doc: PA393—03/19

POW AUTO

DAVID BROWN  
HYDRAULICS

HYDRECO®

HYDRECO  
POW AUTO  
ADVANCED HYDRAULIC TECHNOLOGIES



[www.hydreco.com](http://www.hydreco.com)