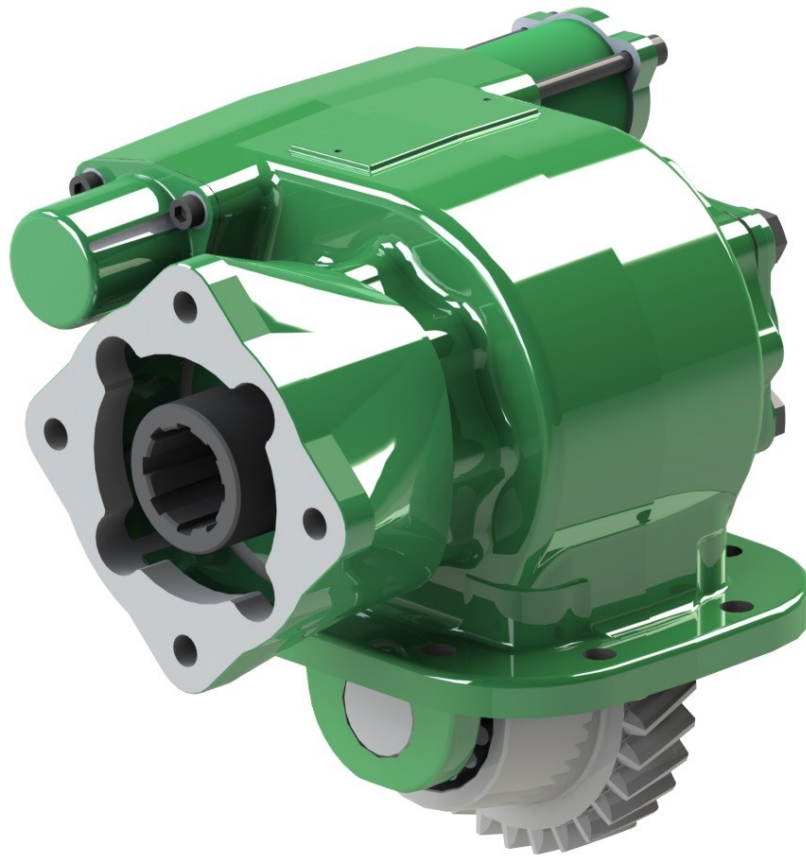


Technical Data Sheet



PA413 SERIES POWER TAKE-OFF

Deep Reach High Torque 8 Bolt Side Mounted PTO

The 413 series is designed for the left opening of certain Hino transmissions with an 8 bolt opening. It is a heavy-duty deep reach design.

Suits:

Hino LJ 5 & 6 speed transmissions.
(Refer to the eGuide Configurator on www.hydreco.com for confirmation and details)

Product Features

- **Output Speeds 62.3 to 91.3% of Engine Speed (Transmission Dependant)**
For very high torque at the output.
- **Wide variety of outputs**
To suit many vehicle configurations.
- **Constant mesh gears**
Less potential for gearbox damage through misuse.
- **Heavy duty tapered roller bearings**
For long life and better support of the idler gear.

POWAUTO

DAVID BROWN
HYDRAULICS

HYDRECO®

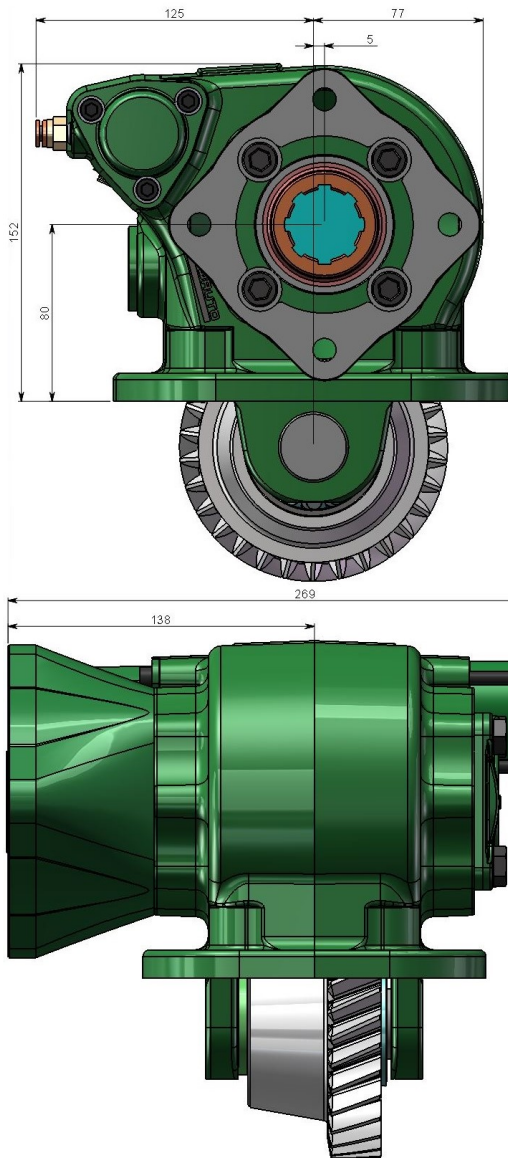
HYDRECO
POWAUTO

ADVANCED HYDRAULIC TECHNOLOGIES



www.hydreco.com

Technical Data Sheet



PTO DESIGNATION CODES

413 Series

PA 413 MK L21 K 08 *

Identifier

PA = PTO Side Mount

PTO Series

413

Gear Type

MK, SM

Build

L = Left side of transmission

2 = Selector to bottom / Bias to top

I = Centre to front

(Position of gear in transmission)

Engagement Type

K = Air (Pull to engage)

Output Type

08 = 8T Powauto Hydraulic Spline

09 = 14T 12/24 30° Spline + 35 x 60 Flange

10 = 14T 12/24 30° Spline + 1310 Flange

11 = 14T 12/24 30° Spline + 1410 Flange

13 = 13T SAE B Hydraulic Spline + SAE B Pump Mount

23 = 8T Ø36 DIN 5462 Spline - Female and DIN Mount

25 = 9T SAE A Hydraulic Spline + SAE A Pump Mount

26 = 14T 12/24 30° Spline + SAE C 2 & 4 Bolt Mount

Other outputs available on request, subject to MOQ.

Manufacturers Code

A = With Pressure Switch

B = With Mounting Kit

C = With Mounting Kit & PTO Control Kit

Technical Specifications			
Ratings & Service Parts		MK	SM
Torque	Nm / ft.lb	396 / 291	431 / 317
Power @ 500 rpm	kW / hp	20.6 / 27.6	22.4 / 30.1
Power @ 1000 rpm	kW / hp	41.2 / 55.2	44.9 / 60.2
Mounting Kit		MK1168	MK1168A
Output Shaft Rotation		Opposite To Engine	
Approximate Bare Mass	kg / lb	15.0 / 33.0	
Mounting Gasket Kit		GK019	
Seal Kit		SK065A	
Bearing Kit		BK065A	

Note: For full details refer to the owners manual or the eGuide configurator found at www.hydreco.com/

Doc: PA413—04/20

POW AUTO

DAVID BROWN
HYDRAULICS

HYDRECO®

HYDRECO
POW AUTO
ADVANCED HYDRAULIC TECHNOLOGIES



www.hydreco.com