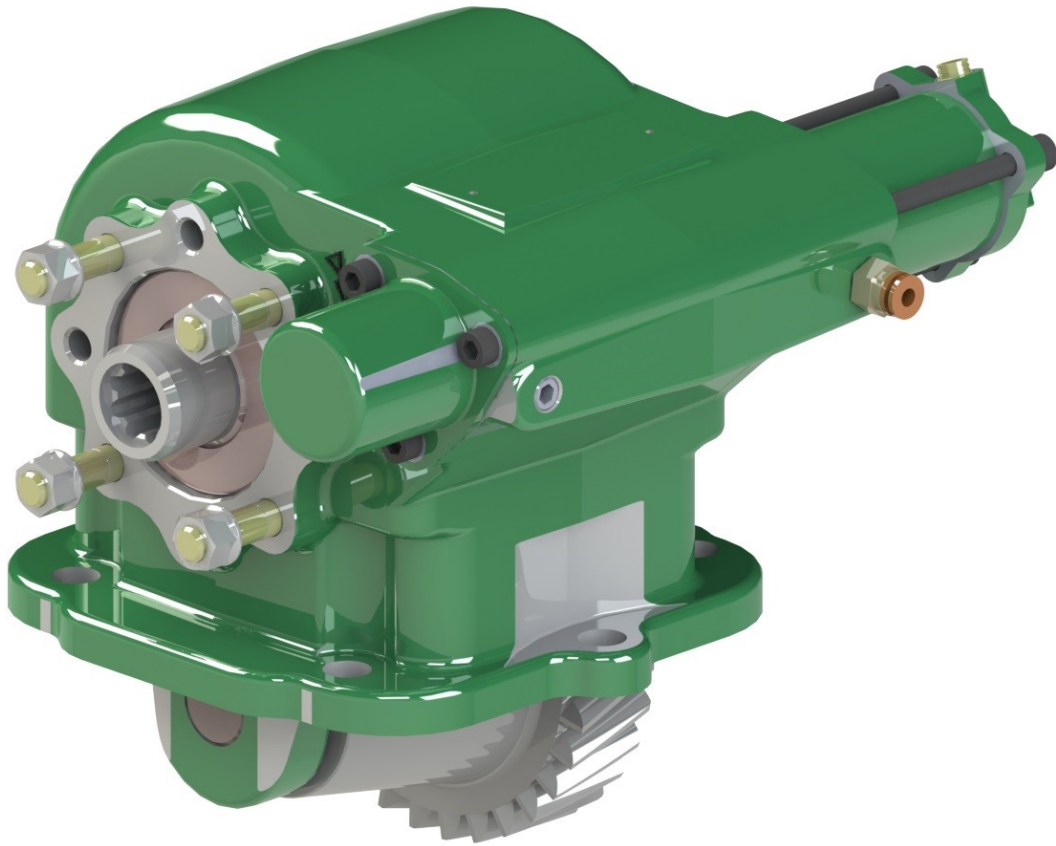


Technical Data Sheet



PA417 SERIES POWER TAKE-OFF

Deep Reach High Torque 6 Bolt Side Mounted PTO

The 417 series is designed for the left opening of many Nissan/UD transmissions with a 6 bolt opening. It is a heavy-duty deep reach design.

Suits:

Nissan/UD MLS62B, MLS63B, MPS62B & MPS63B transmissions.

(Refer to the eGuide Configurator on www.hydreco.com for confirmation and details)

Product Features

- **Output Speeds 99.3 to 102.5% of Engine Speed (Gearbox Dependant)**
For very high torque at the output.
- **Wide variety of outputs**
To suit many vehicle configurations.
- **Constant mesh gears**
Less potential for gearbox damage through misuse.
- **Heavy duty tapered roller bearings**
For long life and better support of the idler gear.

POWAUTO

DAVID BROWN
HYDRAULICS

HYDRECO®

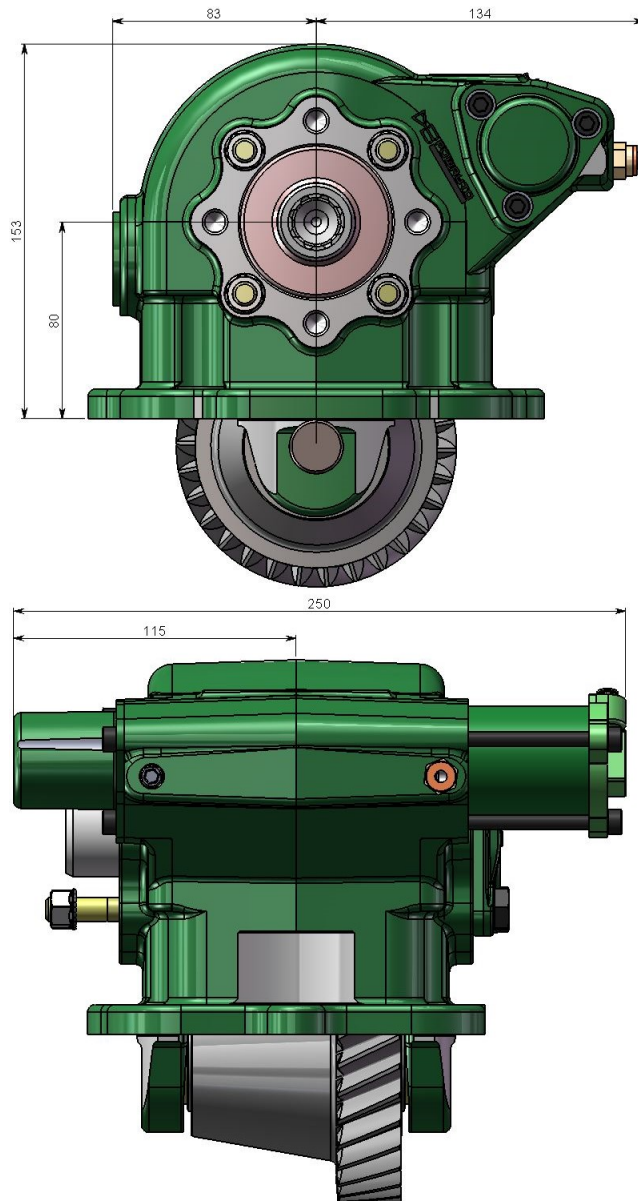
HYDRECO
POWAUTO

ADVANCED HYDRAULIC TECHNOLOGIES



www.hydreco.com

Technical Data Sheet



PTO DESIGNATION CODES

417 Series

PA 417 ST L11 K 08 *

Identifier

PA = PTO Side Mount

PTO Series

417

Gear Type

MCI, ST

Build

L = Left side of transmission
 I = Selector to top / Bias to bottom
 1 = Centre to front
 (Position of gear in transmission)

Engagement Type

K = Air (Pull to engage)

Output Type

08 = 8T Powauto Hydraulic Spline
 09 = 14T 12/24 30° Spline + 35 x 60 Flange
 10 = 14T 12/24 30° Spline + 1310 Flange
 11 = 14T 12/24 30° Spline + 1410 Flange
 13 = 13T SAE B Hydraulic Spline + SAE B Pump Mount
 23 = 8T Ø36 DIN 5462 Spline - Female and DIN Mount
 Other outputs available on request, subject to MOQ.

Manufacturers Code

A = With Pressure Switch
 B = With Mounting Kit
 C = With Mounting Kit & PTO Control Kit

Technical Specifications			
Ratings & Service Parts		MCI	ST
Torque	Nm / ft.lb	572 / 421	351 / 258
Power @ 500 rpm	kW / hp	30.0 / 40.2	18.4 / 24.5
Power @ 1000 rpm	kW / hp	60.0 / 80.4	36.8 / 49.0
Approximate Bare Mass	kg / lb	15.0 / 33.0	17.0 / 37.4
Mounting Kit		MK1187C	MK1187A
Output Shaft Rotation		Opposite To Engine	
Mounting Gasket Kit		GK028	
Seal Kit		SK087	
Bearing Kit		BK087	

Note: For full details refer to the owners manual or the eGuide configurator found at www.hydreco.com/solutions/on-road

Doc: PA417—04/20

POW AUTO

DAVID BROWN
HYDRAULICS

HYDRECO®

HYDRECO
POW AUTO
ADVANCED HYDRAULIC TECHNOLOGIES



www.hydreco.com