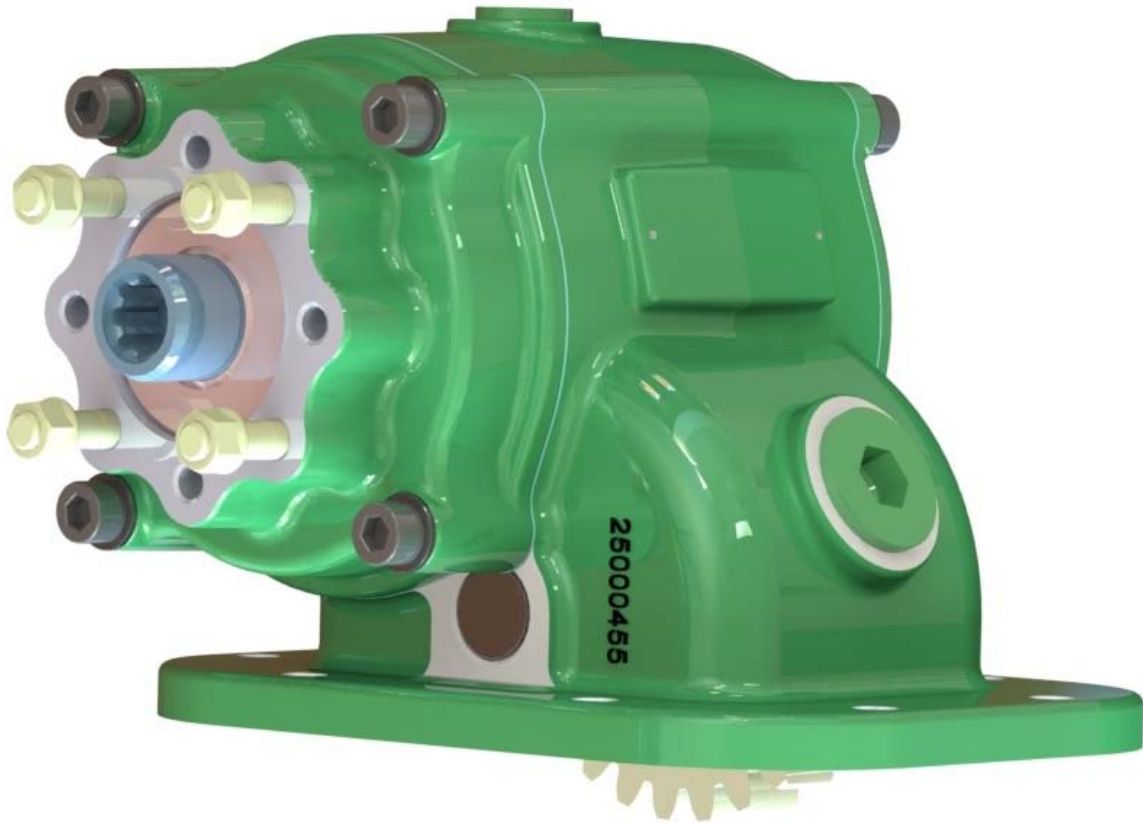


Technical Data Sheet



PA49 SERIES POWER TAKE-OFF

SAE 8 Bolt Side Mounted Hotshift PTO

Designed for transmissions with SAE 8 bolt openings, the 49 series PTO has an output ratio suitable for high torque in critical applications.

Built with constant mesh gearing, this PTO incorporates a clutch pack to engage and disengage the output shaft.

With optimised ratios this PTO will provide extra torque for normal engine speeds.

Suits:

Eaton Fuller transmissions.

(Refer to the eGuide Configurator on www.hydreco.com for confirmation and details)

Product Features

- **Viton Seals and O-Rings**
For compatibility with high temp conditions.
- **Secondary Rear Cover**
To allow seal changes in situ, resulting in more up time.
- **Tapered Roller Bearings**
To provide durability under all conditions.
- **Improved Return Spring**
To reduce drag and extend service life.
- **Internal Clutch System**
For effortless engagement on the go.
- **Ideal For Applications With Frequent Engagements**

POWAUTO

DAVID BROWN
HYDRAULICS

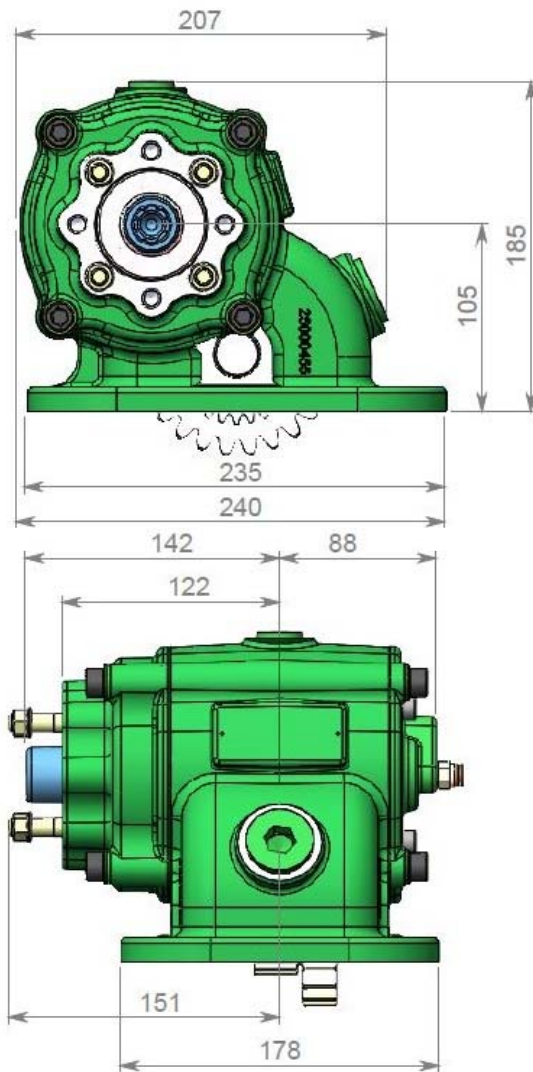
HYDRECO®

HYDRECO
POWAUTO

ADVANCED HYDRAULIC TECHNOLOGIES

www.hydreco.com

Technical Data Sheet



PTO DESIGNATION CODES

4900 Series

PA 4902 B L I I A 08 *

Identifier

PA = PTO Side Mount

PTO Series

49

Ratio

02

Gear Type

B

Build

L = Left side of transmission

R = Right side of transmission

1 = Selector to top / Bias to bottom

2 = Selector to bottom / Bias to top

I = Centre to front

(Position of gear in transmission)

Engagement Type

A = Air

Output Type

08 = 8T Powauto Hydraulic Spline

10 = 14T 12/24 30° Spline + 1310 Flange

11 = 14T 12/24 30° Spline + 1410 Flange

13 = 13T SAE B Hydraulic Spline + SAE B Pump Mount

23 = 8T Ø36 DIN 5462 Spline - Female and DIN Mount

Other outputs available on request, subject to MOQ.

Manufacturers Code

A = With Pressure Switch

Technical Specifications		
Ratings & Service Parts		
Torque	Nm / ft.lb	417 / 306
Power @ 500 rpm	kW / hp	21.8 / 29.2
Power @ 1000 rpm	kW / hp	43.6 / 58.5
Output Shaft Rotation		Opposite To Engine
Approximate Bare Mass	kg / lb	20.0 / 44.0
Mounting Kit		* See note
Mounting Gasket Kit		GK002
Seal Kit		SK062B
Bearing Kit		BK062B

* Mounting kit varies with transmission - refer to eGuide Configurator.

Note: Minimum air pressure for operation is 7 Bar (100psi), torque available is 360Nm. Maximum torque output only available between 8 to 10 Bar (116 to 145psi) air pressure.

Note: For full details refer to the owners manual or the eGuide configurator found at www.hydreco.com/solutions/on-road

Doc: PA49—07/21

POW AUTO

DAVID BROWN
HYDRAULICS

HYDRECO®

HYDRECO
POW AUTO

ADVANCED HYDRAULIC TECHNOLOGIES

www.hydreco.com