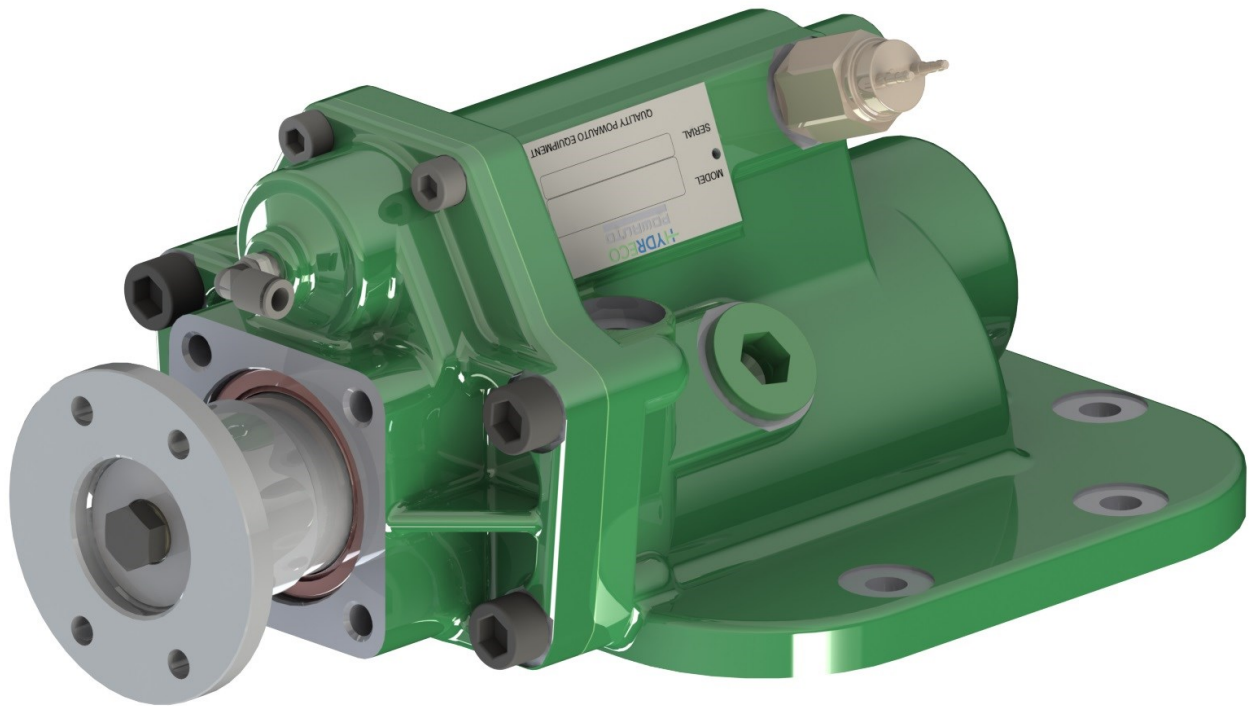


Technical Data Sheet



PA862 SERIES POWER TAKE-OFF

8 Bolt Single Gear Side Mounted PTO

The 862 series is a single gear PTO designed for Hino MX06 transmissions with an 8 bolt opening.

Continuing Hydreco Powauto's commitment to maximum torque output, this PTO achieves superior strength with minimum size and is economically priced.

Suits:

Hino MX06 transmissions.
(Refer to the eGuide Configurator on www.hydreco.com for confirmation and details)

Product Features

- **Output Speed 76.7% of Engine Speed**
For maximum torque output for pump operation.
- **Air Shift Operated**
For ease of engagement.
- **Single Gear Design**
For simple and smooth operation.
- **A Range Of Outputs**
To allow close coupling or remote mounting of pumps.
- **Viton Seals**
For high temperature conditions.
- **Heavy Duty Roller Bearings**
For higher torque capacity.

POWAUTO

DAVID BROWN
HYDRAULICS

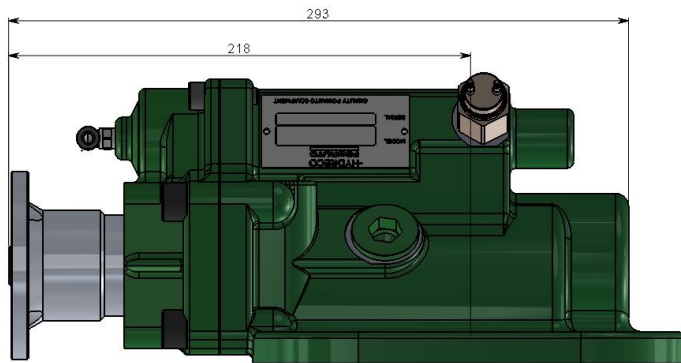
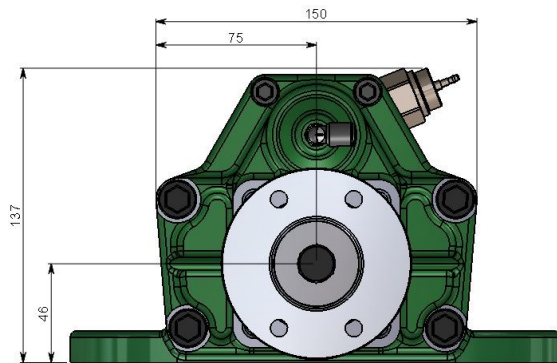
HYDRECO®

HYDRECO
POWAUTO
ADVANCED HYDRAULIC TECHNOLOGIES



www.hydreco.com

Technical Data Sheet



PTO DESIGNATION CODES

862 Series

PA 862 SJ L12 A 09 *

Identifier

PA = PTO Side Mount

PTO Series

862

Gear Type

SJ

Build

L = Left side of transmission

I = Selector to top / Bias to bottom

2 = Centre to rear

(Position of gear in transmission)

Engagement Type

A = Air

Output Type

08 = 8T Powauto Hydraulic Spline

09 = 14T 12/24 30° Spline + 35 x 60 Flange

Other outputs available on request, subject to MOQ.

Manufacturers Code

A = With Pressure Switch

B = With Mounting Kit

C = With Mounting Kit & PTO Control Kit

Technical Specifications		
Ratings & Service Parts		
Torque	Nm / ft.lb	355 / 262
Power @ 500 rpm	kW / hp	18.6 / 24.9
Power @ 1000 rpm	kW / hp	37.2 / 49.8
Output Shaft Rotation		Opposite to Engine
Approximate Bare Mass	kg / lb	13.5 / 29.7
Mounting Kit		MK1208
Mounting Gasket Kit		GK031
Seal Kit - Mechanical Output		SK117
Seal Kit - Hydraulic Output		SK117A
Repair Kit - Mechanical Output		SK117
Repair Kit - Hydraulic Output		BK117A

Note: For full details refer to the owners manual or the eGuide configurator found at www.hydreco.com/solutions/on-road

Doc: PA862—09/18

POW AUTO

DAVID BROWN
HYDRAULICS

HYDRECO®

HYDRECO
POW AUTO
ADVANCED HYDRAULIC TECHNOLOGIES



www.hydreco.com