

Technical Data Sheet



POW & CHE SERIES HYDRAULIC GEAR PUMP

High Pressure Gear Pumps

The POW & CHE series pump is ideal for applications requiring high pressure and flow. The design of this pump is maximised for performance and flow.

Manufactured from high quality resilient SG iron this product is well suited for applications such as cranes, elevated work platforms, hook-lift loaders, tippers and garbage compactors.

Suits:

Heavy duty and high pressure applications. (Cranes, Hook Lifts)

Product Features

- **High Pressure up to 310 Bar**
For maximum performance of hydraulic systems.
- **Available With Rear Ports**
To enable better placement of hydraulic lines.
- **Robust & Durable**
Designed for maximum performance.

POW AUTO

DAVID BROWN
HYDRAULICS

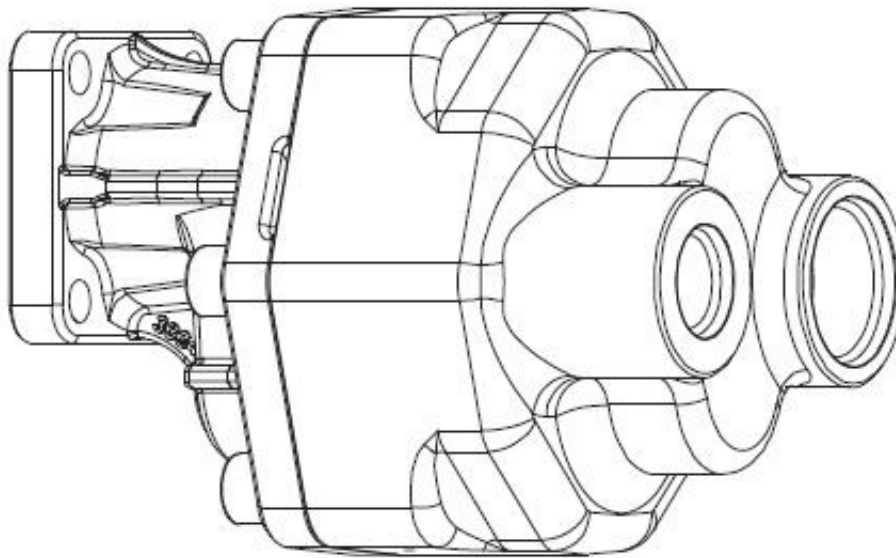
HYDRECO®

HYDRECO
POW AUTO
ADVANCED HYDRAULIC TECHNOLOGIES



www.hydreco.com

Technical Data Sheet



PUMP DESIGNATION CODES

POW Series

Pump Series

POW = Powauto Mount
CHE = Chelsea Mount

Rotation

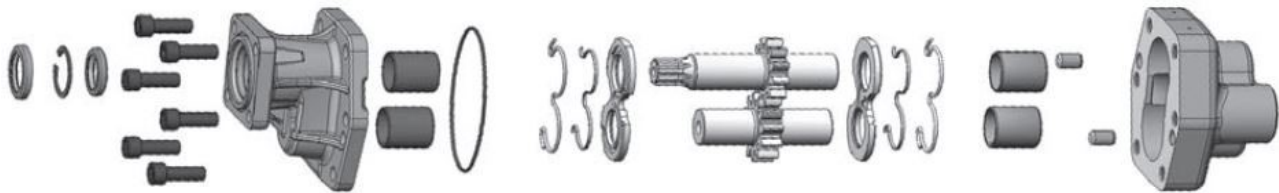
O = Opposite To Engine
S = Same As Engine

Flow @ 1000 RPM

25 = 23 L/min (6.0 USgpm)
35 = 34 L/min (9.0 USgpm)
45 = 44 L/min (11.6 USgpm)
55 = 54 L/min (14.3 USgpm)
65 = 64 L/min (16.9 USgpm)
75 = 74 L/min (19.5 USgpm)
90 = 88 L/min (23.2 USgpm)
115 = 113 L/min (29.9 USgpm)

Manufacturers Code

(Internal Use Only, If Required)



Technical Specifications		Pump Size							
Pump Ratings		25	35	45	55	65	75	90	115
Flow Rates	L/min (USgpm)	Once Current Stocks Are Depleted, Use PUA Series							
@1000rpm	No Load	23 (6.0)	34 (9.0)	44 (11.6)	54 (14.3)	64 (16.9)	74 (19.5)	88 (23.2)	113 (29.9)
@1000rpm	Max. Pressure	19 (5.0)	28 (7.4)	40 (10.6)	50 (13.2)	62 (16.4)	72 (19.0)	87 (23.0)	110 (29.0)
@2000rpm	Max. Pressure	38 (10.0)	56 (14.8)	80 (21.2)	100 (26.4)	124 (32.8)	144 (38.0)	174 (46.0)	220 (58.1)
Pressure Ratings									
	bar	310	300	290	280	280	270	250	230
	psi	4495	4350	4200	4060	4060	3915	3625	3335
Operating Speeds									
	Minimum	600 RPM				600 RPM			
	Max. Cont	2000 RPM				2000 RPM			
	Max. Int	2500 RPM				2500 RPM			
Min. Suction Line (I.D)		32mm - 1¼"				40mm - 1½"			
Pump Port Sizes	Inlet	1 5/8" -12 UN O-Ring				1 7/8" -12 UN O-Ring			
	Outlet	1 1/16" -12 UN O-Ring				1 5/16" -12 UN O-Ring			
Approx. Bare Mass	kg	10.0	11.0	11.5	12.4	13.0	13.5	14.5	16.0
	lb	22.0	24.2	25.3	27.3	28.6	29.7	31.9	35.2
Overall Length	mm	183	191	198	206	213	220	230	248
		Once Current Stocks Are Depleted, Use PUA Series						248	
Seal Kit		With Wear Plates		SK077B		Without Wear Plates		SK077C	

Note: Hydreco recommends the use of filtration in all hydraulic circuits to a minimum of 25µ. Warranty is void if pump seal is removed.

Doc: POW CHE—02/21

POW AUTO

DAVID BROWN
HYDRAULICS

HYDRECO®

HYDRECO
POW AUTO
ADVANCED HYDRAULIC TECHNOLOGIES



www.hydreco.com