

# Technical Data Sheet



## BP SERIES HYDRAULIC PISTON PUMP

### High Performance Bent Axis Piston Pumps

The BP series pump is ideal for applications requiring high pressures within confined spaces. The design is maximised for performance and flow.

Manufactured with a steel housing, this pump is designed for equipment such as cranes, aerial platforms, hook-lift loaders, moving floors and compactors.

Compatible with similar "Industry Standard" bent axis piston pumps.

Powauto "08" mount available only on 40, 50 and 60cc pumps.

## Product Features

- **High Pressure up to 400 Bar**  
Allows use in extreme applications.
- **Rear Ports**  
Easier placement of hydraulic lines.
- **Versatile Positioning**  
Can be placed in any one of 4 orientations.
- **Low Weight**  
Ease of installation and maintenance.
- **Double Shaft Seals**  
Ensures leakproof operation.
- **Ease Of Rotation Change**  
Simple alternate rotation selection.
- **Suction Adapter Supplied**  
Provides versatility of hose location during installation.

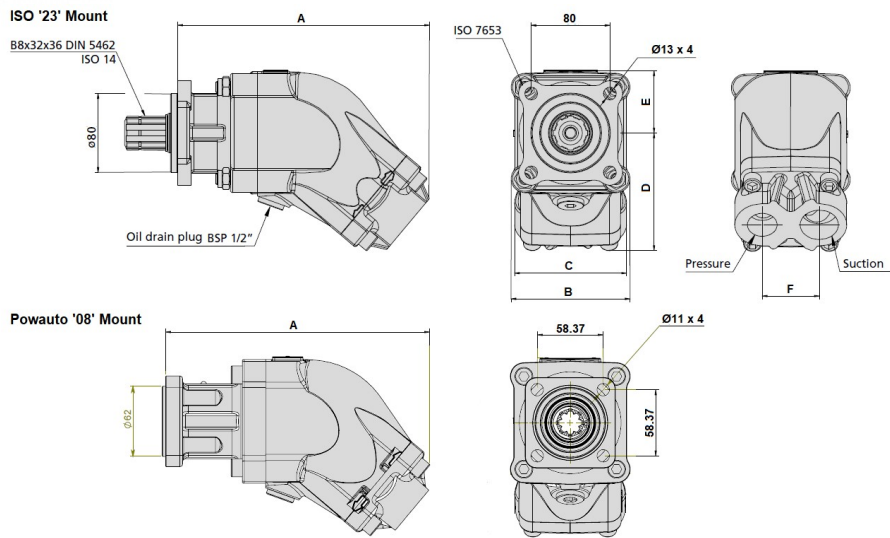


**HYDRECO**  
a member of **DAIKIN** group



[www.hydreco.com](http://www.hydreco.com)

# Technical Data Sheet



## PUMP DESIGNATION CODES

### BP Series

#### Identifier

PU = Pump

#### Pump Series

BP = Bent Axis Piston Pump

#### Rotation

O = Opposite To Engine

S = Same As Engine

#### Displacement

20 = 19.0 cc/rev

30 = 30.4 cc/rev

40 = 39.4 cc/rev

50 = 49.5 cc/rev

60 = 59.9 cc/rev

80 = 78.8 cc/rev

110 = 109.5 cc/rev

#### Porting

R = Rear

#### Input Mounting

Omit = "08" Powauto (only on 40, 50 or 60cc pumps)

23 = DIN 5462

PU BP O 50 R 23

Important: Ensure the pump has been filled with oil prior to installation/startup.

Note: Hydreco recommends the use of filtration to a minimum of 10µ.

Technical Specifications		20	30	40	50	60	80	110
Pump Ratings		20	30	40	50	60	80	110
Displacement Range	cm <sup>3</sup> /rev	19.0	30.4	39.4	49.5	59.9	78.8	109.5
Rated Pressure	bar	350	350	350	350	350	370	350
	psi	5076	5076	5076	5076	5076	5365	5076
Peak Pressure	bar	450	450	450	450	450	450	450
	psi	6526	6526	6526	6526	6526	6526	6526
Operating Speeds	Max. Continuous	2200	2000	2000	1700	1700	1500	1400
	Max. Limited	2800	2600	2600	2300	2300	2000	1900
Hose Tail Size	Suction	1 ½" Hosetail			2" Hosetail			
Pump Port Sizes	Suction	¾" BSPP		1" BSPP			1 ¼" BSPP	
	Pressure	½" BSPP		¾" BSPP			1" BSPP	
Approx. Bare Mass	kg	7.6	7.7	9.5	10.0	10.0	15.5	15.0
Length 'A'	mm	197		223 (234 for "08" mount)			256	
Max. Width 'B'	mm	104		106			121	
Distributor Width 'C'	mm	77		98			114	
Length 'D'	mm	93		103			119	
Length 'E'	mm	52		55			63	
Width 'F'	mm	40		50			58	
Seal Kit		SKBP2030		SKBP4060 (ISO) or SKBP4060P (08)			SKBP80110	

Doc: PUBP—01/22



**HYDRECO**  
 a member of **DAIKIN** group



[www.hydreco.com](http://www.hydreco.com)