

Technical Data Sheet



Q SERIES MOBILE HYDRAULIC VALVES

Monoblock Mobile Hydraulic Valves

The Q Valve range is made for today's demanding mobile hydraulic needs.

These monoblock valves provide high flows and pressures from a compact sturdy cast iron construction. Available with a vast array of spool and operator options.

Whether your controlling hydraulic motors or cylinders, Hydreco has a mobile valve to suit your application.

Product Features

- **High resistance cast iron body**
For higher working pressures.
- **Standard parallel circuit design**
To allow simultaneous operations.
- **Metering Spools**
Combine with the load hold check valve to provide load independent, proportional control.
- **Minimal internal leakage**
Allows precise control.
- **Reversible spools and controls**
Allows for flexibility in installations.

POWAUTO

DAVID BROWN
HYDRAULICS

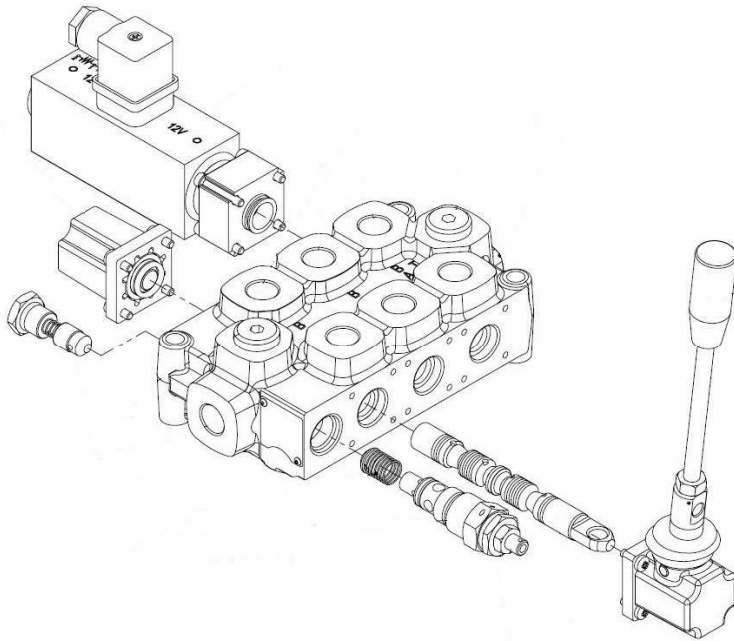
HYDRECO®

HYDRECO
POWAUTO
ADVANCED HYDRAULIC TECHNOLOGIES



www.hydreco.com

Technical Data Sheet



VALVE DESIGNATION CODES

Q Series Valve

Valve Series
Q45, Q75, Q95

Spools (from Inlet to Outlet)

D = Cylinder Spool
M = Motor Spool
S = Single Acting Spool "A" Port
C = Closed Centre
F = Float Spool

Spool Control (from Inlet to Outlet)

Blank = Standard Lever Spring Centred
B = Standard Lever Spring Centred For Mixed Controls
R = Lever and 3 Position Detent
P = Pneumatic Pilot
12 = 12 Volt DC Spring Centre and Lever
24 = 24 Volt DC Spring Centre and Lever
E1 = 12 Volt DC Electropneumatic
E2 = 24 Volt DC Electropneumatic

Outlet Features

Blank = Standard
H = High Pressure Carry Over (HPCO)
C = Closed Centre Plug

Q95 DMS - BRP - H



Technical Specifications		Q45	Q75	Q95
Flow	Lpm / gpm	60 / 15.9	80 / 21.1	120 / 31.7
Max Pressure - 1 & 2 Spools	Bar / psi	350 / 5075	350 / 5075	350 / 5075
Max Pressure - 3 Spool	Bar / psi	320 / 4640	300 / 4350	300 / 4350
Max Pressure - ≥ 4 Spools	Bar / psi	300 / 4350	270 / 3915	270 / 3915
Max Pressure - Tank Port	Bar / psi	25 / 363	25 / 363	25 / 363
Filtration	ISO 4406	26/33	26/33	26/33
Viscosity - Operating	cSt	10 - 400	10 - 400	10 - 400
Port Sizes	A, B	½" BSPP	½" BSPP	¾" BSPP
	P1, P2, T2	½" BSPP	½" BSPP	¾" BSPP
	T1	½" BSPP	¾" BSPP	¾" BSPP
	HPCO	½" BSPP	½" BSPP	¾" BSPP
Weight (Basic Valve), kg	1 Spool	3.0	5.7	5.7
	2 Spool	4.5	7.6	7.6
	3 Spool	5.6	10.4	10.4
	4 Spool	7.3	12.4	12.4
	5 Spool	8.9	14.5	14.8
	6 Spool	10.1	16.6	18.3
	7 Spool	11.0		
	8 Spool	13.6		

POWAUTO

DAVID BROWN
HYDRAULICS

HYDRECO®

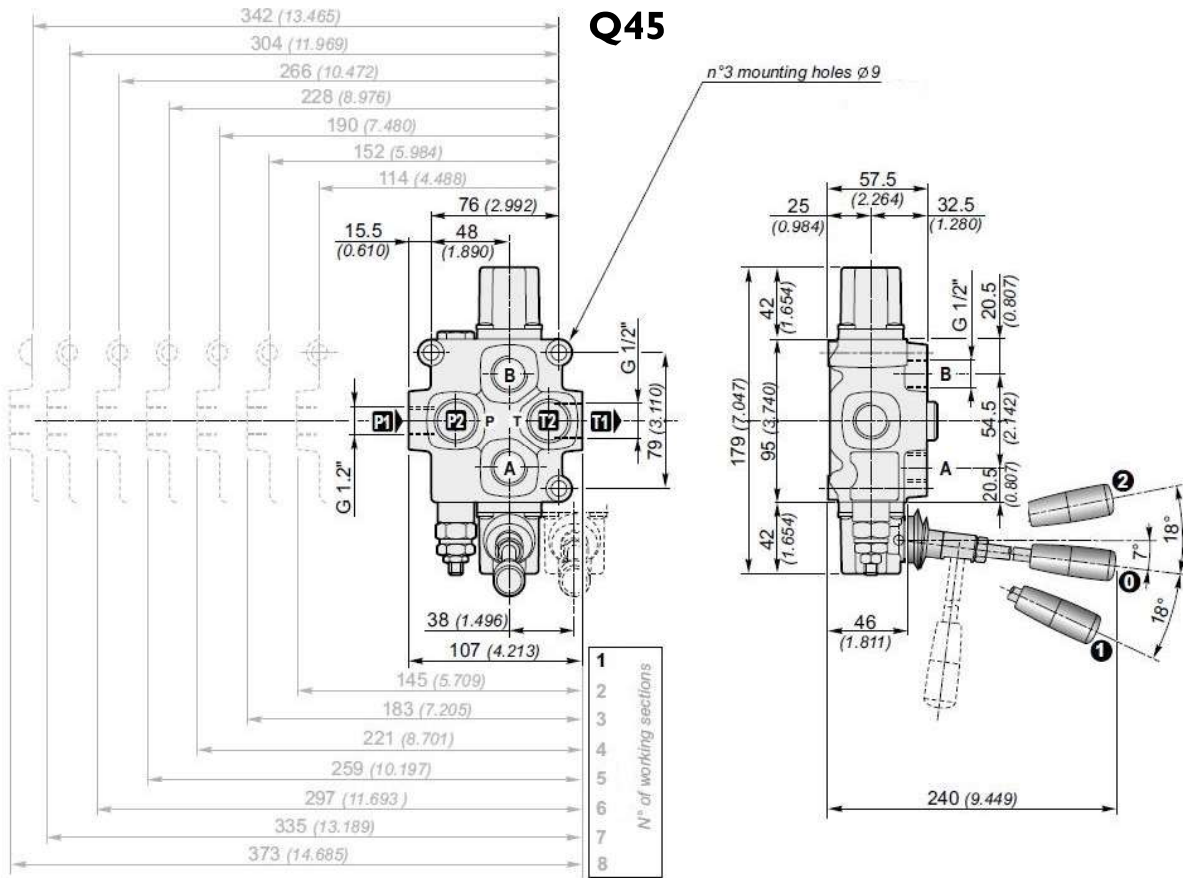
HYDRECO
POWAUTO

ADVANCED HYDRAULIC TECHNOLOGIES

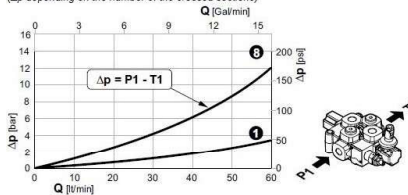


www.hydreco.com

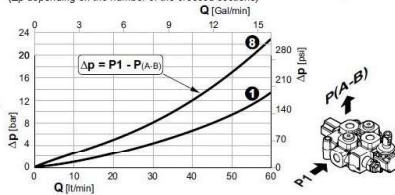
Technical Data Sheet



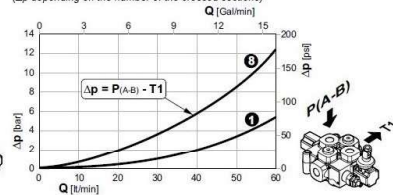
Pressure drop with spool in neutral position
(Δp depending on the number of the crossed sections)



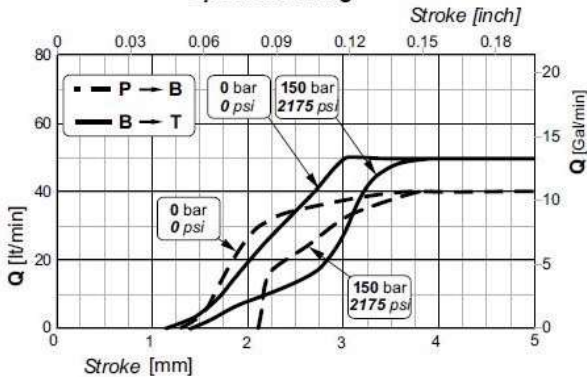
Pressure drop with spool in working position
(Δp depending on the number of the crossed sections)



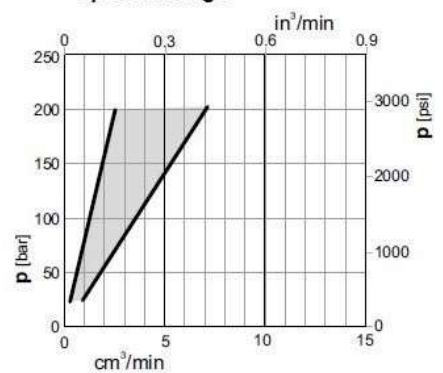
Pressure drop with spool in working position
(Δp depending on the number of the crossed sections)



Spool metering



Spool leakage



POWAUTO

DAVID BROWN
HYDRAULICS

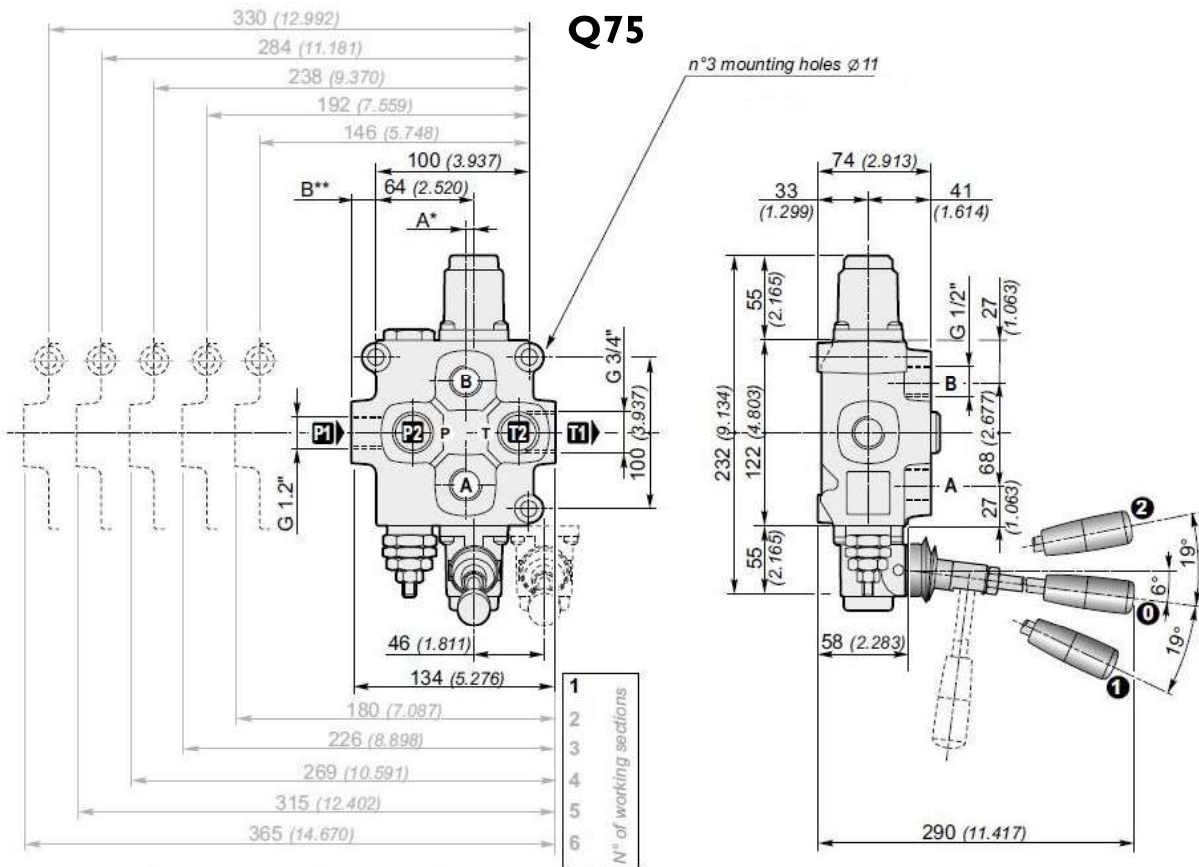
HYDRECO®

HYDRECO
POWAUTO
ADVANCED HYDRAULIC TECHNOLOGIES



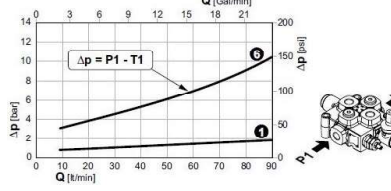
www.hydreco.com

Technical Data Sheet

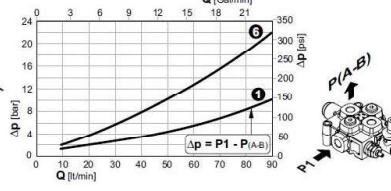


* A = 5.5 for 1 working section, A = 0 for 2, 3, 4, 5 and 6 working sections
 ** B = 16 for 1, 2, 3, 6 working section, B = 13 for 4 and 5 working sections

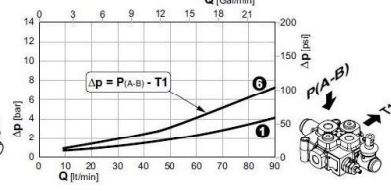
Pressure drop with spool in neutral position
 (Δp depending on the number of the crossed sections)



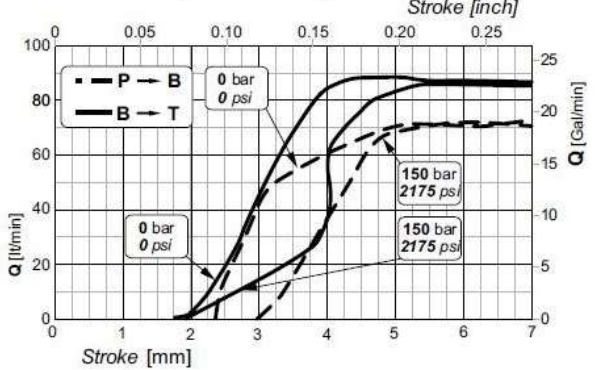
Pressure drop with spool in working position
 (Δp depending on the number of the crossed sections)



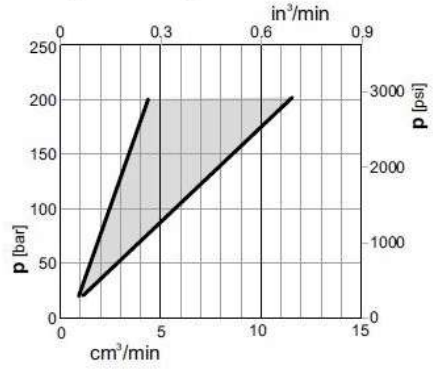
Pressure drop with spool in working position
 (Δp depending on the number of the crossed sections)



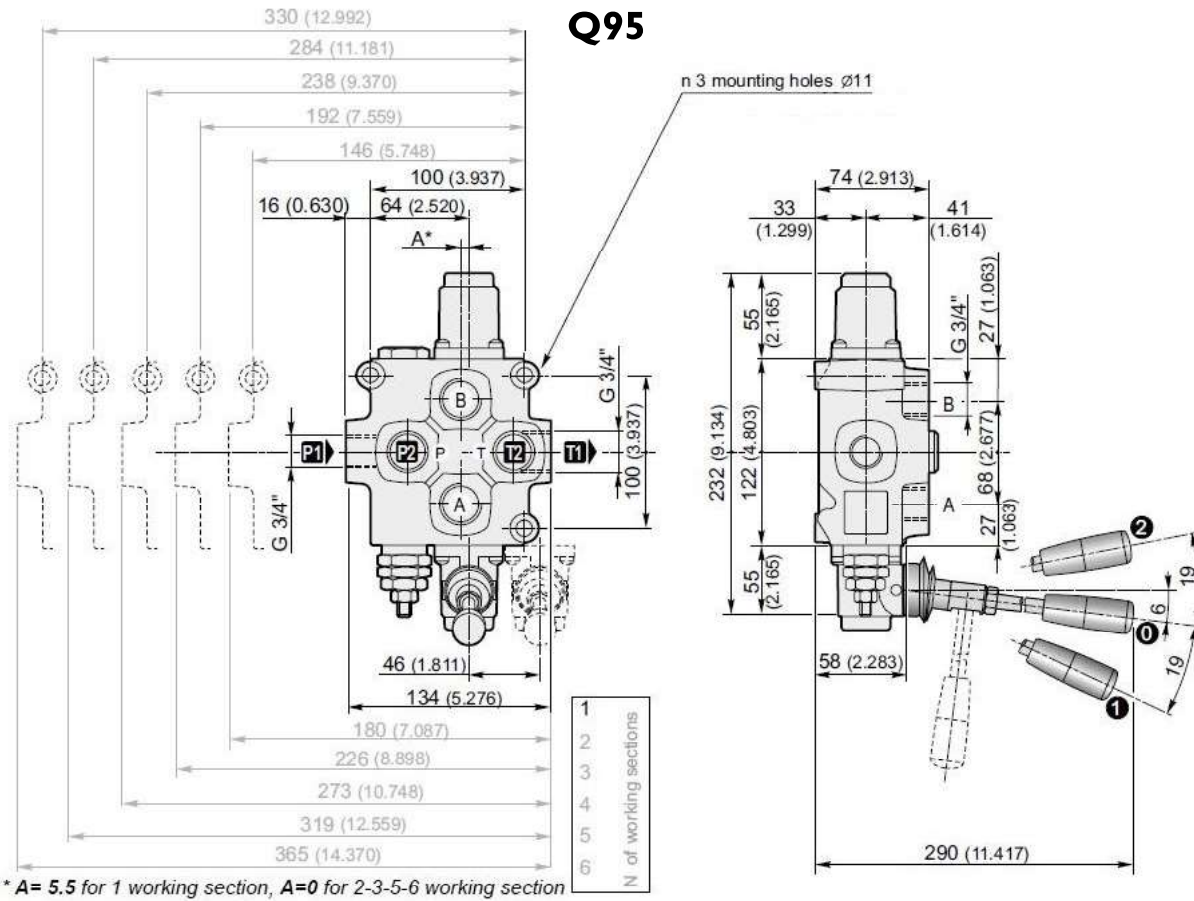
Spool metering



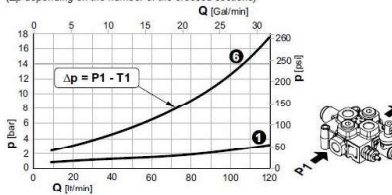
Spool leakage



Technical Data Sheet

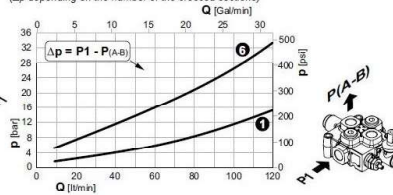


Pressure drop with spool in neutral position
(Δp depending on the number of the crossed sections)

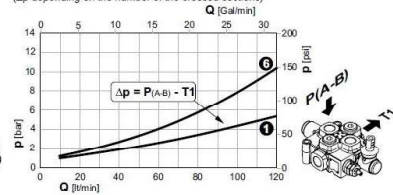


Metering spool

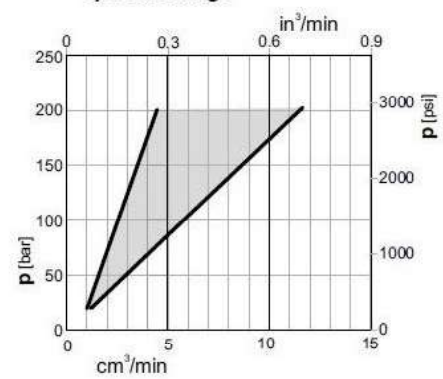
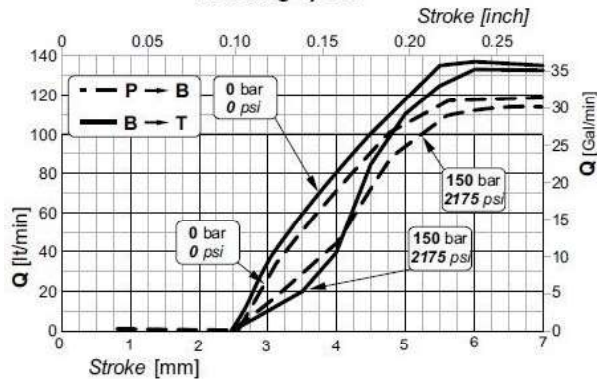
Pressure drop with spool in working position
(Δp depending on the number of the crossed sections)



Pressure drop with spool in working position
(Δp depending on the number of the crossed sections)



Spool leakage



POWAUTO

DAVID BROWN
HYDRAULICS

HYDRECO®

HYDRECO
POWAUTO
ADVANCED HYDRAULIC TECHNOLOGIES



www.hydreco.com

Technical Data Sheet

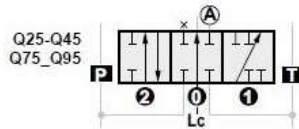
Q45 Spare Parts		Q75/95 Spare Parts	
High Pressure Carry Over (HPCO)	HPCO-Q45	High Pressure Carry Over (Q75)	HPCO-Q75
Closed Centre Plug	060002997699	High Pressure Carry Over (Q95)	HPCO-Q95
Lever Operator Assembly	Q25-A1	Lever Operator Assembly	Q75-A1
Lever	Q25-LEVA	Lever	Q75-LEVA
Pneumatic Shift	Q25-PI	Pneumatic Shift	Q75-PI
Spring Centre	Q25-M1	Spring Centre	Q75-M1
Detent Kit - 3 position	Q25-R3	Detent Kit - 3 position	Q75-R3
Spool - Single Acting	Q25-101	Spool - Single Acting	Q75-101
Spool - Double Acting	Q25-103	Spool - Double Acting	Q75-103
Spool - Closed Centre	Q25-106	Spool - Closed Centre	Q75-106
Spool - Motor	Q25-111	Spool - Motor	Q75-111
Spool - Float	Q25-116	Spool - Float	Q75-116
Seal Kit - 1 Spool	01250251	Seal Kit - 1 Spool plus Air Pilot	012508661PI-N
Seal Kit - 2 Spools	01250252	Seal Kit - 1 Spool	01250551
Seal Kit - 3 Spools	01250253	Seal Kit - 2 Spools	01250552
Seal Kit - 4 Spools	01250254	Seal Kit - 3 Spools	01250553
Seal Kit - 5 Spools	01250255	Seal Kit - 4 Spools	01250554
Seal Kit - 6 Spools	01250256	Seal Kit - 5 Spools	01250555

For full details please contact your Hydreco distributor

Spool Options

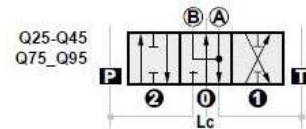
101

Semplice effetto in A
Single acting in A port



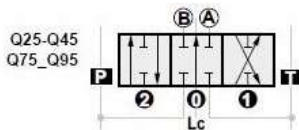
111

Doppio effetto, A e B in T
in posizione 0
*Double acting, A and B to T
in 0 position*



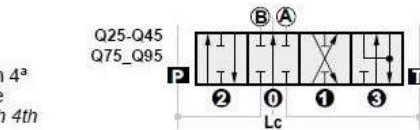
103

Doppio effetto, A e B chiusi
in posizione 0
*Double acting, A and B closed
in 0 position*



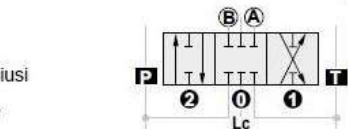
116

Doppio effetto con 4ª
posizione flottante
*Double acting with 4th
position floating*



106

Doppio effetto, passaggi chiusi
in posizione 0
*Double acting, ports closed
in 0 position*



Doc: Q VALVE—02/22

POWAUTO

DAVID BROWN
HYDRAULICS

HYDRECO

HYDRECO

POWAUTO

ADVANCED HYDRAULIC TECHNOLOGIES



www.hydreco.com