

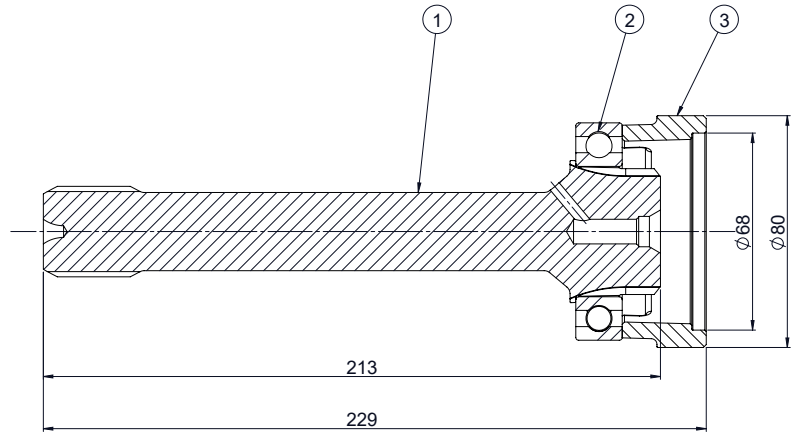
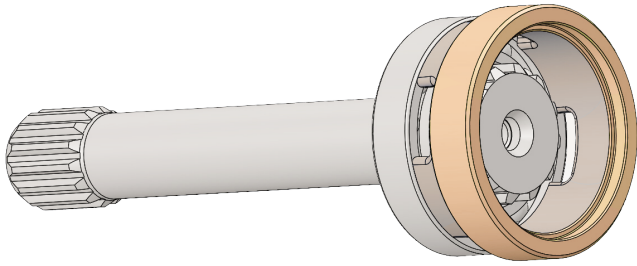
**177C003**







ADAPTOR KIT  
**ZF ECOSPLIT** GEARBOX  
WITHOUT INTARDER

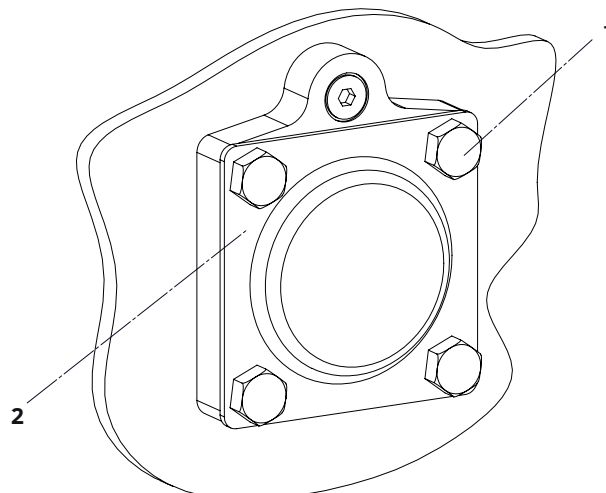


**INSTALLATION MANUAL**

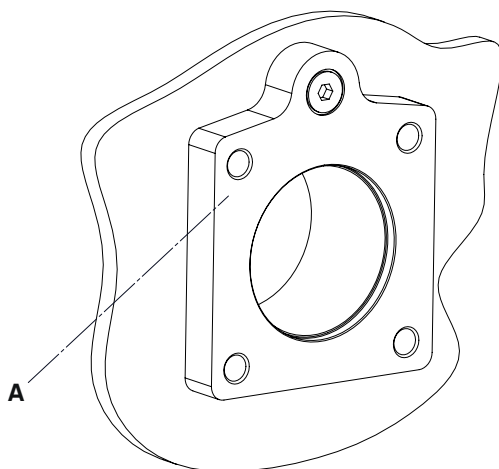
ADAPTOR KIT ZF SERIES ECOSPLIT GEARBOX





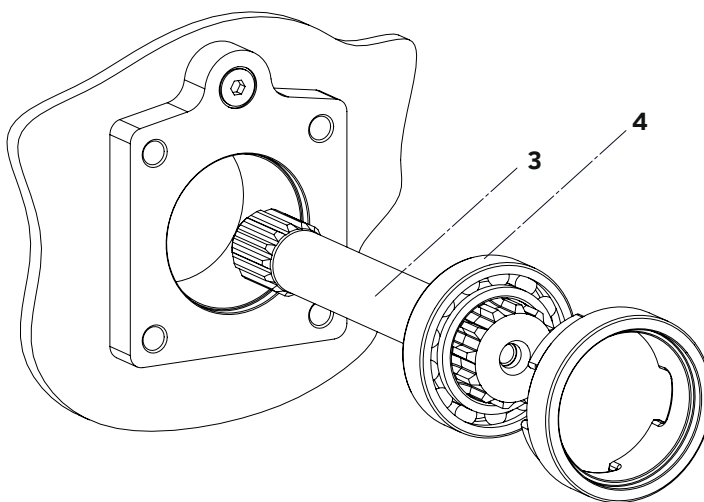
- 1)  Scaricare l'olio del cambio.  
 Drain the gearbox oil.
- 2)  Svitare le 4 viti M12 "1".  
 Unscrew the 4 M12 screw "1".
- 3)  Rimuovere il coperchio posteriore del cambio "2".  
 Remove the rear cover of the gearbox housing "2".





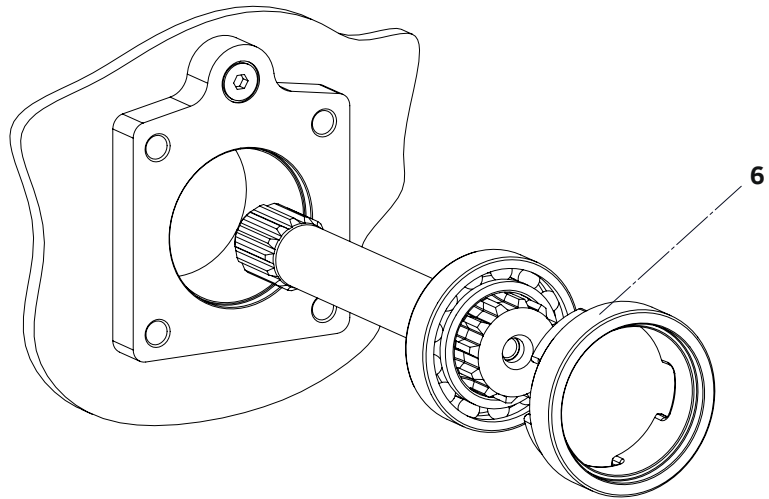
- 4)  Pulire accuratamente il piano portella cambio "A" da impurità o residui di vernice rimasti.  
 Thoroughly clean the surface of the door panel "A" from impurities.



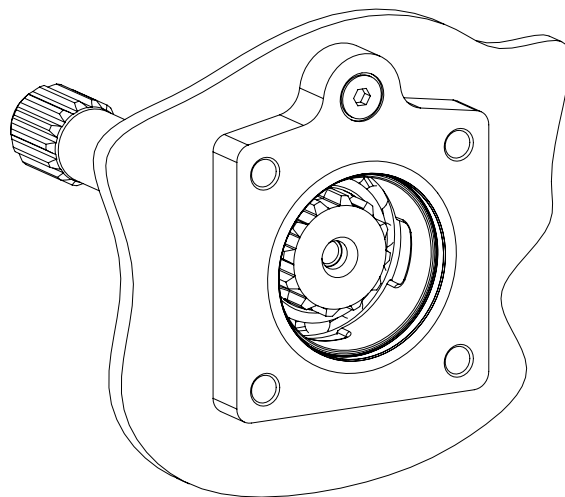
- 5)  Inserire l'albero "3" nella dentatura scanalata dell'albero secondario del cambio, prestando attenzione a non danneggiare il cuscinetto "4".  
 Insert the shaft "3" into the splined teeth of the secondary shaft of the gearbox, being careful not to damage bearing "4".



- 6)  Inserire l'anello "6" fino in battuta.  
 Insert ring "6" until it seats fully.



- 7)  Kit adattatore inserito.  
 Adaptor kit inserted.



Supported by a worldwide network



## CONTACT INFORMATION

### EMEA

<b>GERMANY</b>	Hydreco Hydraulics GmbH, Straelen (NRW)	☎ +49 283494303-41	✉ info-de@hydreco.com
<b>ITALY</b>	Hydreco Hydraulics Italia Srl, Vignola (MO)	☎ +39 059 7700411	✉ sales-it@hydreco.com
<b>ITALY</b>	Hydreco Hydraulics Italia Srl, Parma (PR)	☎ +39 0521 1830520	✉ sales-it@hydreco.com
<b>ITALY</b>	Hydreco Srl, San Cesario S/P (MO)	☎ +39 059 330091	✉ cylinders@hydreco.com
<b>NORWAY</b>	Hydreco Hydraulics Norway AS, Nittedal	☎ +47 22909410	✉ post-no@hydreco.com
<b>UK</b>	Hydreco Hydraulics Ltd, Poole, Dorset	☎ +44 (0) 1202 627500	✉ info-uk@hydreco.com

### AMERICAS

<b>NORTH/LATIN</b>	Hydreco Inc / Continental Hydraulics Inc, Shakopee (MN)	☎ +1 952 895 6400	✉ sales@conthyd.com
--------------------	---	-------------------	---------------------

### APAC

<b>AUSTRALIA</b>	Hydreco Hydraulics Pty Ltd, Seven Hills (NSW)	☎ +61 2 9838 6800	✉ sales-au@hydreco.com
<b>AUSTRALIA</b>	Hydreco Hydraulics Pty Ltd, Welshpool (WA)	☎ +61 8 9377 2211	✉ reception-wa@hydreco.com
<b>INDIA</b>	Hydreco Hydraulics India Private Ltd, Bangalore	☎ +91 80 67656300	✉ sales-in@hydreco.com

