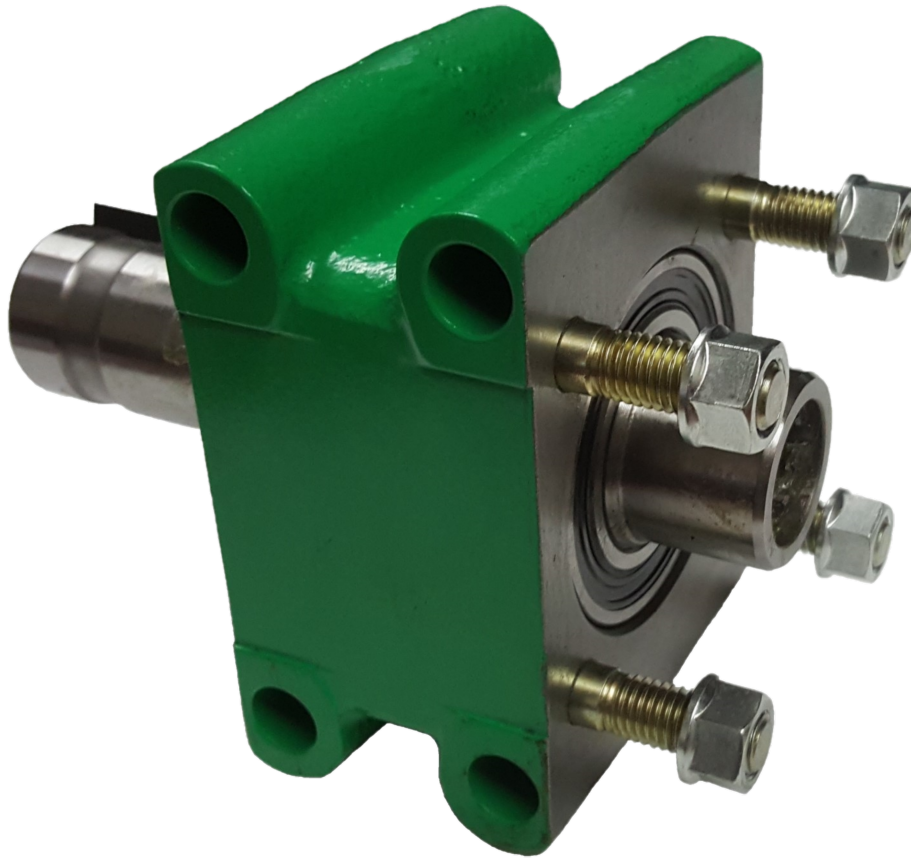


# Technical Data Sheet



## H56 PUMP REMOTE MOUNT

### Pump Remote Mount

Ideal for mounting the pump away from the PTO, due to space problems.

This unit provides a rugged pump mount easy to install to a convenient cross member or chassis bracket.

## Product Features

- **Suitable for all Powauto mount pumps**  
Standard Powauto "08" mount
- **Compact design**  
Minimum space required for installation.
- **Easy to install**  
Lowers installation costs.
- **Simple design, Rugged construction**  
Low maintenance.
- **Greaseable bearings**  
Extends life.

POW AUTO

DAVID BROWN  
HYDRAULICS

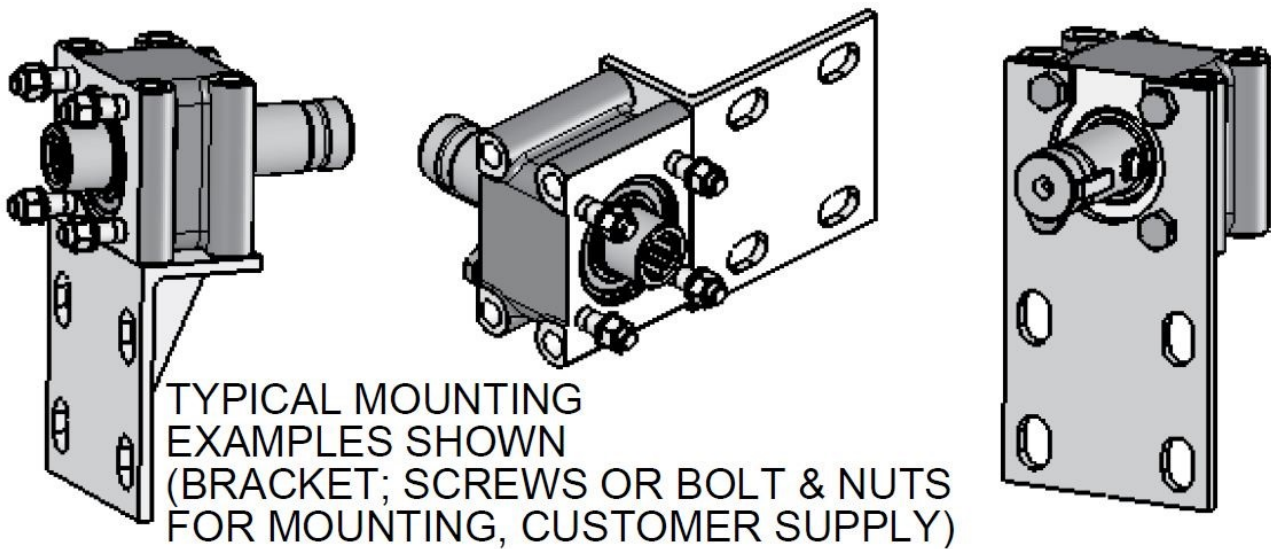
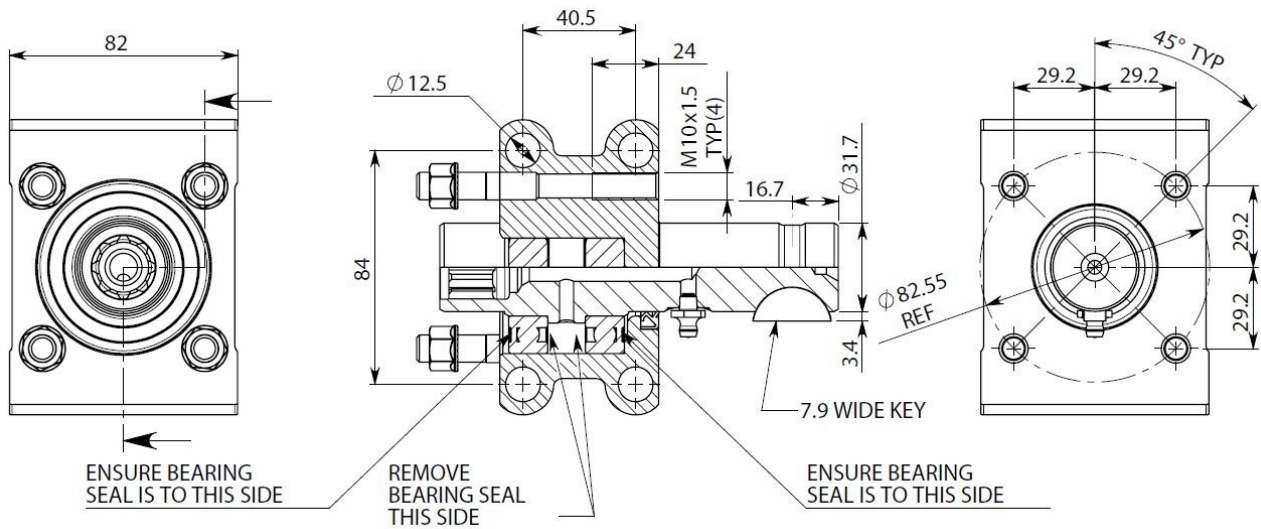
HYDRECO®

HYDRECO  
POW AUTO  
ADVANCED HYDRAULIC TECHNOLOGIES



[www.hydreco.com](http://www.hydreco.com)

# Technical Data Sheet



Doc: H56—04/20

POWAUTO

DAVID BROWN  
HYDRAULICS

HYDRECO®

HYDRECO  
POWAUTO

ADVANCED HYDRAULIC TECHNOLOGIES



[www.hydreco.com](http://www.hydreco.com)