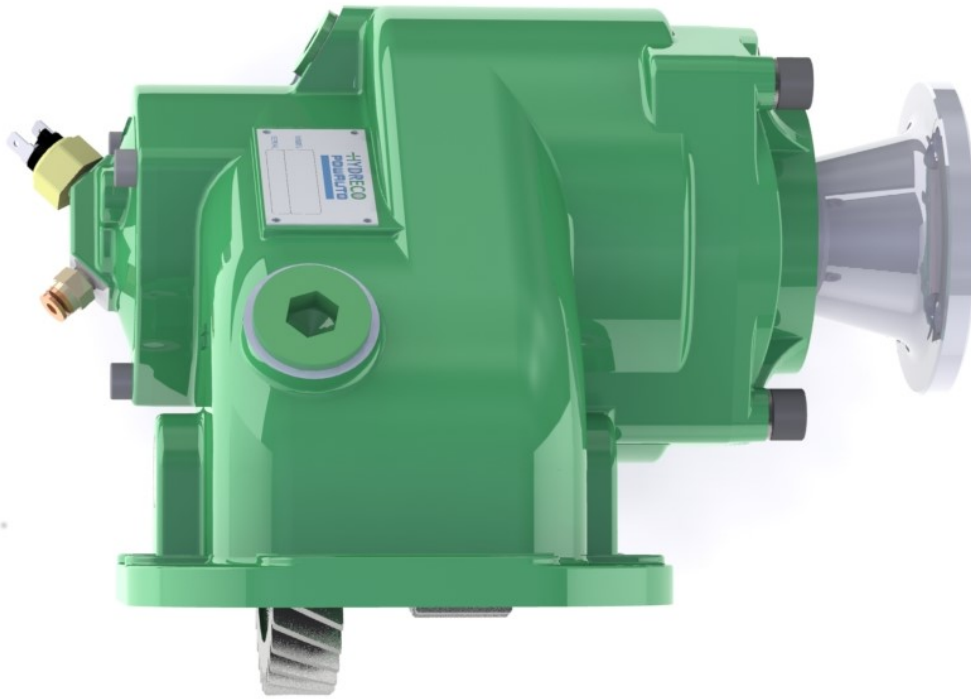


Technical Data Sheet



PA4700 SERIES POWER TAKE-OFF

Heavy Duty Side Mounted Hotshift PTO

The 4700 series is a constant mesh hotshift PTO designed for Eaton/Paccar transmissions with helical gears and an SAE 8 bolt opening on the bottom left.

Gears are hobbled and shaved for closer tolerances and quieter operation. While heavy duty bearings are used throughout.

This PTO has a high torque rating which is well suited to heavy duty applications.

Suits:

Eaton EE-17F111B, EEO-14F112C, EEO-15F112C, EEO-16F112C, EEO-17F112C, EEO-18F112C
Paccar P-17F111B, PO-14F112C, PO-15F112C, PO-16F112C, PO-17F112C, PO-18F112C

Product Features

- **New Improved Clutch Pack**
Providing longer life in harsh conditions.
- **New Piston Design**
Better sealing and lower friction for smooth movements.
- **New Rear Cover Design**
To allow seal changes in situ, resulting in more up time. Can be fitted with an optional engagement switch.
- **Heavy Duty Tapered Roller Bearings**
For high capacity output.
- **One Gasket Fitment**
Simple to install, resulting in lower setup costs.
- **Viton Seals and O-Rings**
For greater durability at high operating temperatures and with synthetic oils.

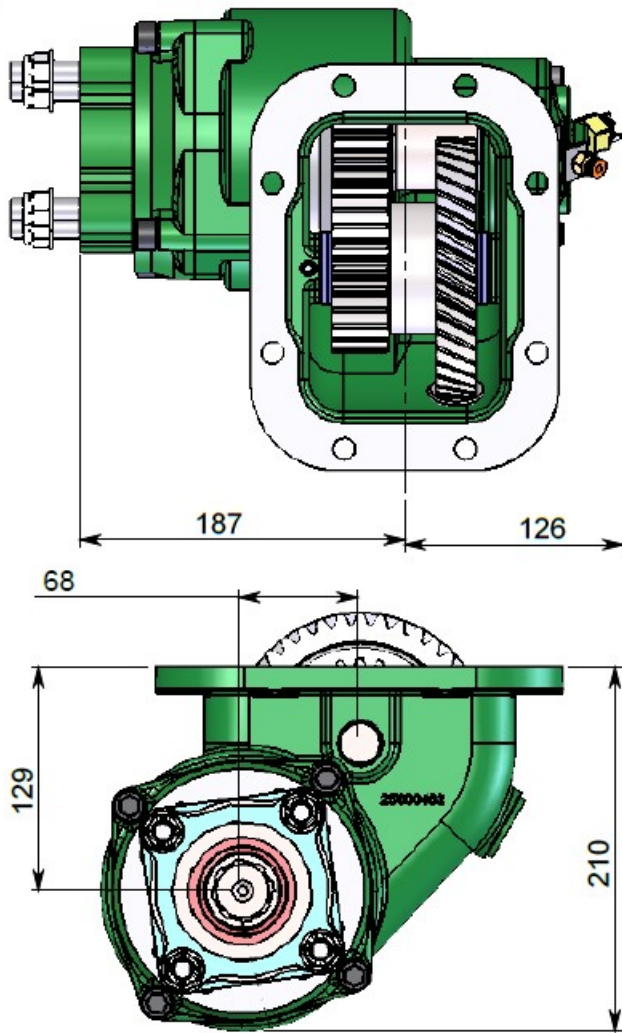


HYDRECO
POW AUTO

ADVANCED HYDRAULIC TECHNOLOGIES

www.hydreco.com

Technical Data Sheet



PTO DESIGNATION CODES

4700 Series

PA 4702 KA L21 A 23 A

Identifier

PA = PTO Side Mount

PTO Series

47

Ratio

02 = 105.26%

Gear Type

KA

Build

L = Left side of transmission

R = Right side of transmission

1 = Selector to top / Bias to bottom

2 = Selector to bottom / Bias to top

1 = Centre to front

(Position of gear in transmission)

Engagement Type

A = Air

Output Type

08 = 8T Powauto Hydraulic Spline

23 = 8T Ø36 DIN 5462 Spline - Female and DIN Mount

33 = 17T 12/24 30° Spline + 1410 Flange

Other outputs available on request, subject to MOQ.

Manufacturers Code

A = With Pressure Switch

Technical Specifications		
Ratings & Service Parts		4702
Ratio		105.26%
Torque	Nm / ft.lb	550 / 405
Output Shaft Rotation		Opposite to Engine
Oil Fill Required	L	2.2
Approximate Bare Mass	kg / lb	23.0 / 50.6
Mounting Kit		MK1213B
Mounting Gasket Kit		40000206
Seal Kit		SK122A
Bearing Kit		BK122A

Note: For full details refer to the owners manual or the eGuide configurator found at www.hydreco.com/solutions/on-road

Doc: PA4700—09/22



HYDRECO
POW AUTO
ADVANCED HYDRAULIC TECHNOLOGIES

www.hydreco.com