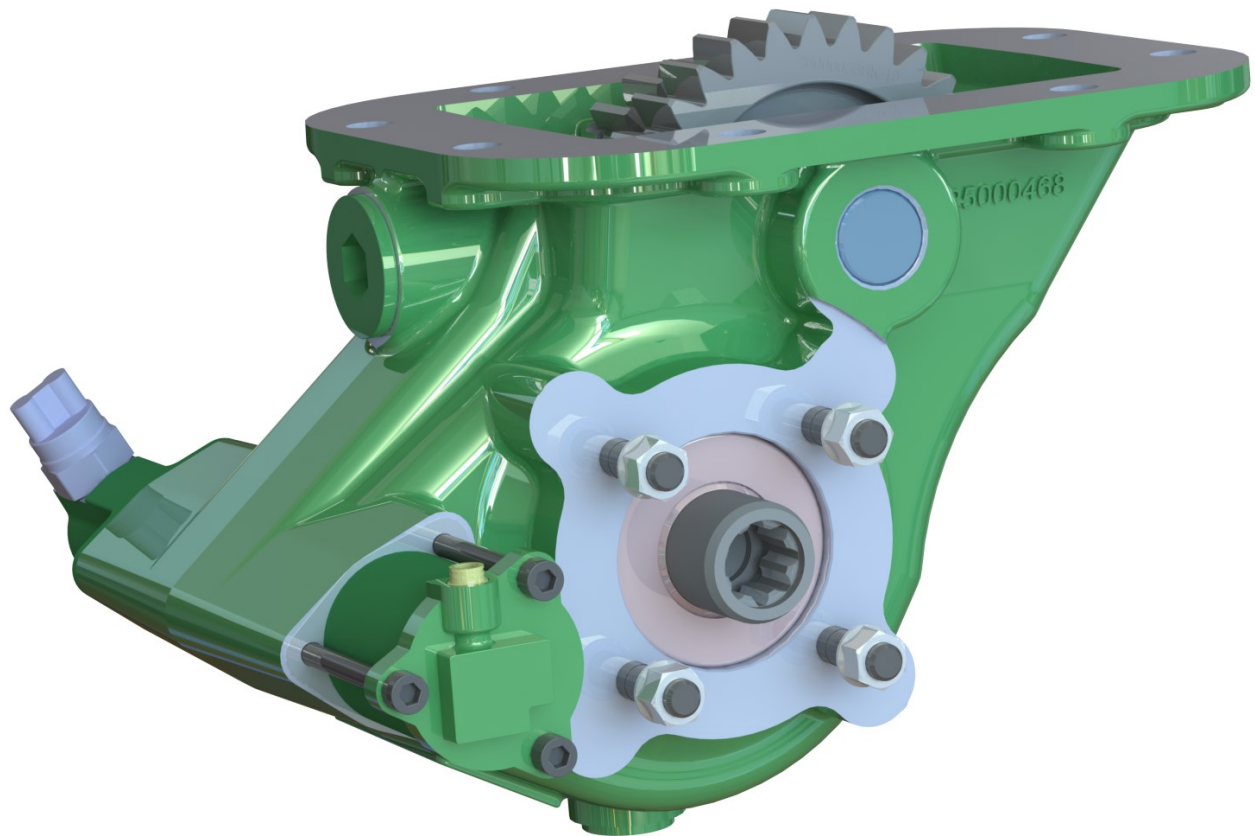


Technical Data Sheet



PA8700 SERIES POWER TAKE-OFF

SAE 8 Bolt Heavy Duty Side Mounted PTO

The 8700 series is a truck mountable pneumatically actuated sliding gear PTO designed for transmissions with an SAE 8 bolt opening fitted to trucks with a gross vehicle mass greater than 3.5T.

This PTO maintains Powauto's commitment to achieving the highest possible torque densities, achieving 420Nm torque within a standard PTO.

Gears are hobbled and shaved for closer tolerances and quieter operation.

Suits:

Kenworth K220, T410 and T610 fitted with Eaton Endurant XD transmissions.

(Refer to the eGuide Configurator on www.hydreco.com for confirmation and details)

Product Features

- **Single Gasket Fitment**
Enables simpler fitting to reduce installation times and cost.
- **Access Hole For Checking Backlash**
For ease of installation.
- **Hobbed & Shaved Gears**
For Quieter operation.
- **Viton Seals and O-Rings**
For greater durability at high operating temperatures and with synthetic oils.
- **Double O-Ring Seals**
Greater leak protection.
- **Heavy Duty Bearings**
For high capacity output.
- **Large Range of Outputs Available**
To suit more applications.

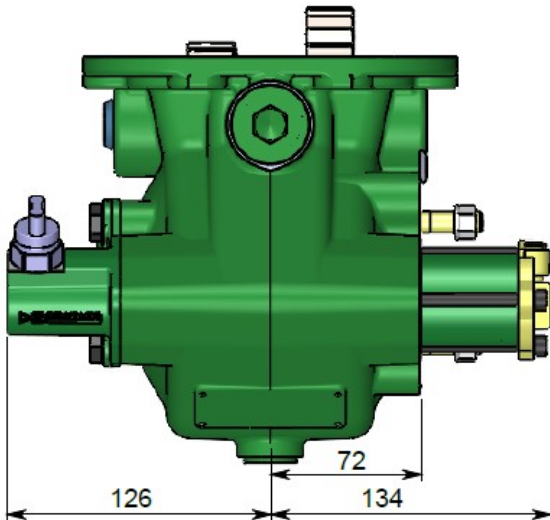
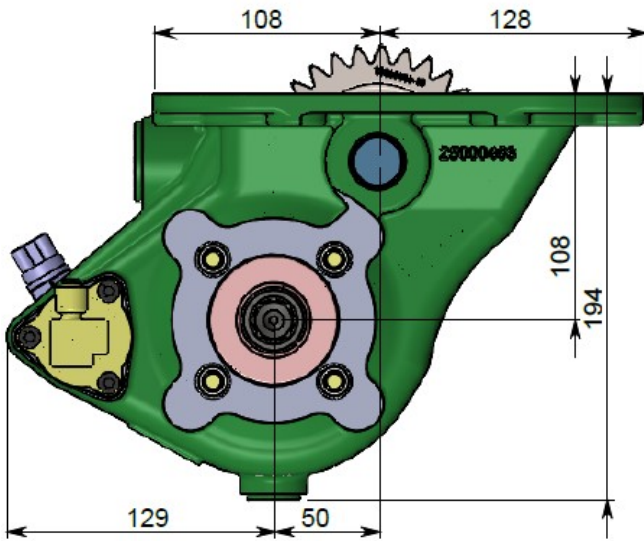


HYDRECO
a member of **DAIKIN** group



www.hydreco.com

Technical Data Sheet



PTO DESIGNATION CODES

8700 Series

PA 87 05 BK R32 A 08

Identifier

PA = PTO Side Mount

PTO Series

8700

Gear Set

05 = 130.9%

Gear Type

BK - Endurant XD

Build

R = Left side of transmission

3 = Selector and Bias to centre of transmission

2 = Pick up gear in rear of opening

Engagement Type

A = Air

Output Type

08 = 8T Powauto Hydraulic Spline

11 = 14T 12/24 30° Spline + 1410 Flange

11K = 14T 12/24 30° Spline + 1410 Flange + HD Output Bearing

23 = 8T Ø36 DIN 5462 Spline - Female and DIN Mount

Other outputs available on request, subject to MOQ.

Technical Specifications		
Ratings & Service Parts		8705
Torque	Nm / ft.lb	420 / 310
Output Speed	% of engine	132.1
Output Shaft Rotation		Opposite to Engine
Oil Fill Required	L	2.0
Bare Mass	kg / lb	16.0 / 35.2
Mounting Kit		MK1213B
Mounting Gasket Kit		40000206
Seal Kit		SK125
Bearing Kit		BK125

Note: For full details refer to the owners manual or the eGuide configurator found at www.hydreco.com/markets/transport

Doc: PA8700—05/24



HYDRECO
a member of **DAIKIN** group



www.hydreco.com