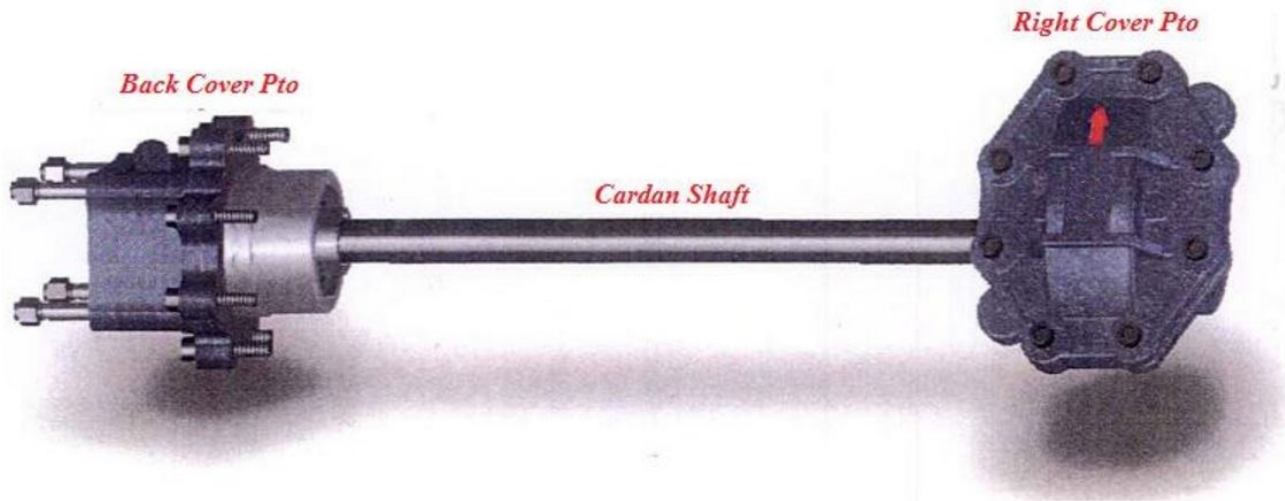


Technical Data Sheet



PB464/465 SERIES POWER TAKE-OFF

Product Features

Rear Mount PTO for Scania

The 464/465 series is designed for certain Scania transmissions with rear openings, it has a straight through output for extra torque in critical applications.

Continuing Hydreco Powauto's commitment to maximum torque output this PTO's design has higher specifications than most similar competing PTO's.

Suits:

Scania GRS905 and GRSO905 transmissions.
(Refer to the eGuide Configurator on www.hydreco.com for confirmation and details)

- **Output Speeds 100 & 125% of Engine Speed (Low and High Range)**
Provides flexibility in pump selection for normal engine speed.
- **Standard Outputs**
For flexibility in applications
- **Non Standard Mount**
Suits certain Scania transmissions.
- **Deep Groove Ball Bearings on Output Shaft**
For longer life and higher performance.
- **Straight Through Output**
Fewer moving parts for greater reliability and higher torque.

POWAUTO

DAVID BROWN
HYDRAULICS

HYDRECO

HYDRECO
POWAUTO
HYDRAULIC SOLUTIONS PROVIDER

www.hydreco.com

Technical Data Sheet



PTO DESIGNATION CODES

464 & 465 Series

PB 464 A 23

Identifier

PB = PTO Rear Mount

PTO Series

464, 465

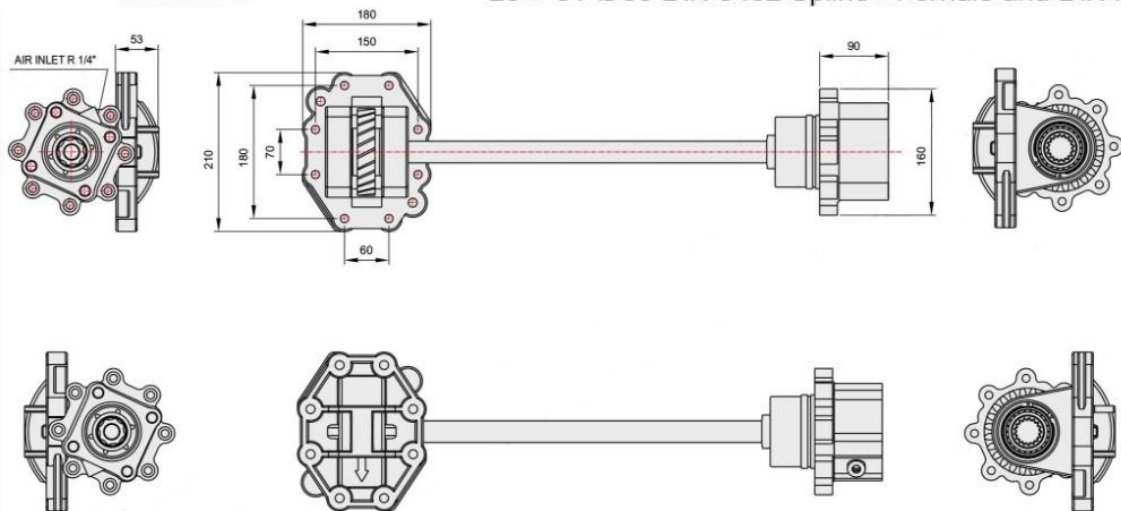
Engagement Type

A = Air

Output Type

08 = 8T Powauto Hydraulic Spline

23 = 8T Ø36 DIN 5462 Spline - Female and DIN Mount



Technical Specifications		
Ratings & Service Parts		
Torque	Nm / ft.lb	436 / 322
Power @ 500 rpm	kW / hp	22.8 / 30.6
Power @ 1000 rpm	kW / hp	45.7 / 61.2
Output Shaft Rotation		Same as Engine
Approximate Bare Mass	kg / lb	23.5 / 51.7
Mounting Kit		Included
Bearing Kit		BK094

Note: For full details refer to the owners manual or the eGuide configurator found at www.hydreco.com/markets/transport

DISTRIBUTOR:

Doc: PB464/465—03/17

POWAUTO

DAVID BROWN
HYDRAULICS

HYDRECO

HYDRECO
POWAUTO
HYDRAULIC SOLUTIONS PROVIDER

www.hydreco.com