

Technical Data Sheet



3 WAY TIPPING KIT FOR UNDERBODY HOISTS

Underbody Hydraulic Hoist 3 Way Tipping Kits

The underbody 3 way tipping kits are for those applications where side tipping is also a requirement. It allows the operator to decide between rear tipping or left or right side tipping.

Available in 12 and 24 tonne capacity.

To be used with the Hydreco underbody hoist range in conjunction with an underbody cradle (UB3WC).

Product Features

- **Compact Size**
Easily installed under tipper body.
- **Rugged Construction**
Increases working life.
- **Pre Packaged Kit**
Ease of installation.
- **Greasable Ball Kits**
Low noise in operation and transport.

POWAUTO

DAVID BROWN
HYDRAULICS

HYDRECO®

HYDRECO
POWAUTO
ADVANCED HYDRAULIC TECHNOLOGIES

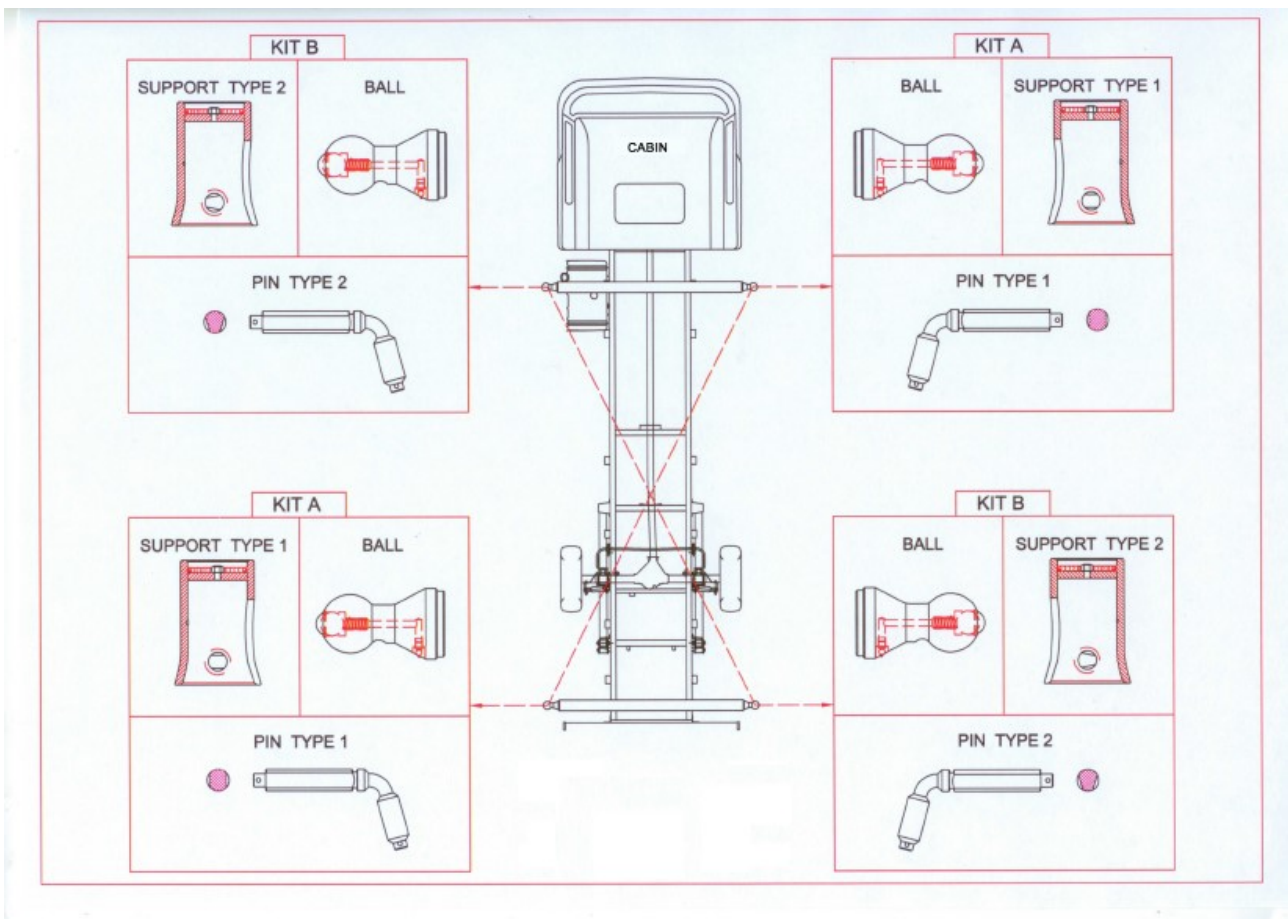
www.hydreco.com

Technical Data Sheet

3 Way Tipping Kit



3 Way Tipping Kit Designation	Ball Diameter mm	Capacity Tonne
UB3W-TK60	60	12.0
UB3W-TK80	80	24.0



Doc: UBH3W—06/22

POW AUTO

DAVID BROWN
HYDRAULICS

HYDRECO®

HYDRECO
POW AUTO

ADVANCED HYDRAULIC TECHNOLOGIES

www.hydreco.com